

PROJECT NOTEBOOK



WESTERN GLOBAL®

Response ready fuel solutions



MILITARY FUEL STORAGE SOLUTIONS

Western Global are proud to provide a range of world-renowned transportable fuel tanks for the military and defense sector. We have everything you need to keep operations fueled in some of the most hostile environments on earth. From holding supplies of contaminant-free aviation fuel to powering generators in forward locations – we lead the market with the most flexible secure military fuel storage available.

Our fuel solutions are plug and play, providing instant supply, and are fully interoperable with every type of equipment. They carry approvals for MOGAS, diesel fuel (DF2), Jet A1 and JP8 and are designed for fast redeployment reducing time, cost and risk. Our military fuel tanks are available from stock with short lead times, or can be customized with a range of specialist pumps and filtration technology providing autonomy and self-sufficiency.



WHY WESTERN GLOBAL?



- Meets USA/European transport & stationary fuel storage regs
- Storage for diesel, DEF, JP8, gasoline & aviation fuels
- Finished inventory & optional accessories ship quickly
- Factory & global on-site training for professional operation
- World-wide installation services & spares support
- TAA Compliant
- Supplies fuel to generators & vehicle refueling at the same time
- Integrated secondary containment eliminates need for berms
- Rapid site environmental approval & same day installation
- Maintenance & sustainment support available
- Short-term/long-term rental & leasing options



SECURITY & PEACE OF MIND

Lockable equipment cabinet protects fuel & equipment from theft and weather damage



FASTER REFUELING

Tanks can be safely lifted by crane or forklift into logistically challenging sites



DESIGNED FOR MOBILITY

Transportable design (even when full) saves you time on-site & eliminates waiting times



OUR MILITARY FUEL CONTAINERS

The Western Global range of military fuel tanks include auxiliary fuel tanks for extended runtime & refueling equipment alongside:



**BULK FUEL TRANSFER
& RECIRCULATION**



**PUMPS, TELEMTRY,
& RETAIL FUEL DISPENSERS**



**HI-SPEC LININGS &
FILTRATION FOR AVIATION**

FUEL TANKS FOR EXPEDITIONARY APPLICATIONS



WX MOBILE 500 & 1000

The WX Mobile is a transportable, secure fuel tank for on-site refueling and auxiliary supply. It extends generator run times & refuels other equipment simultaneously.



WX ARC – AUTONOMOUS REFUELING CELL 40FT

Rapidly deployable fueling solution in austere environments.



WX MOBILE 5000

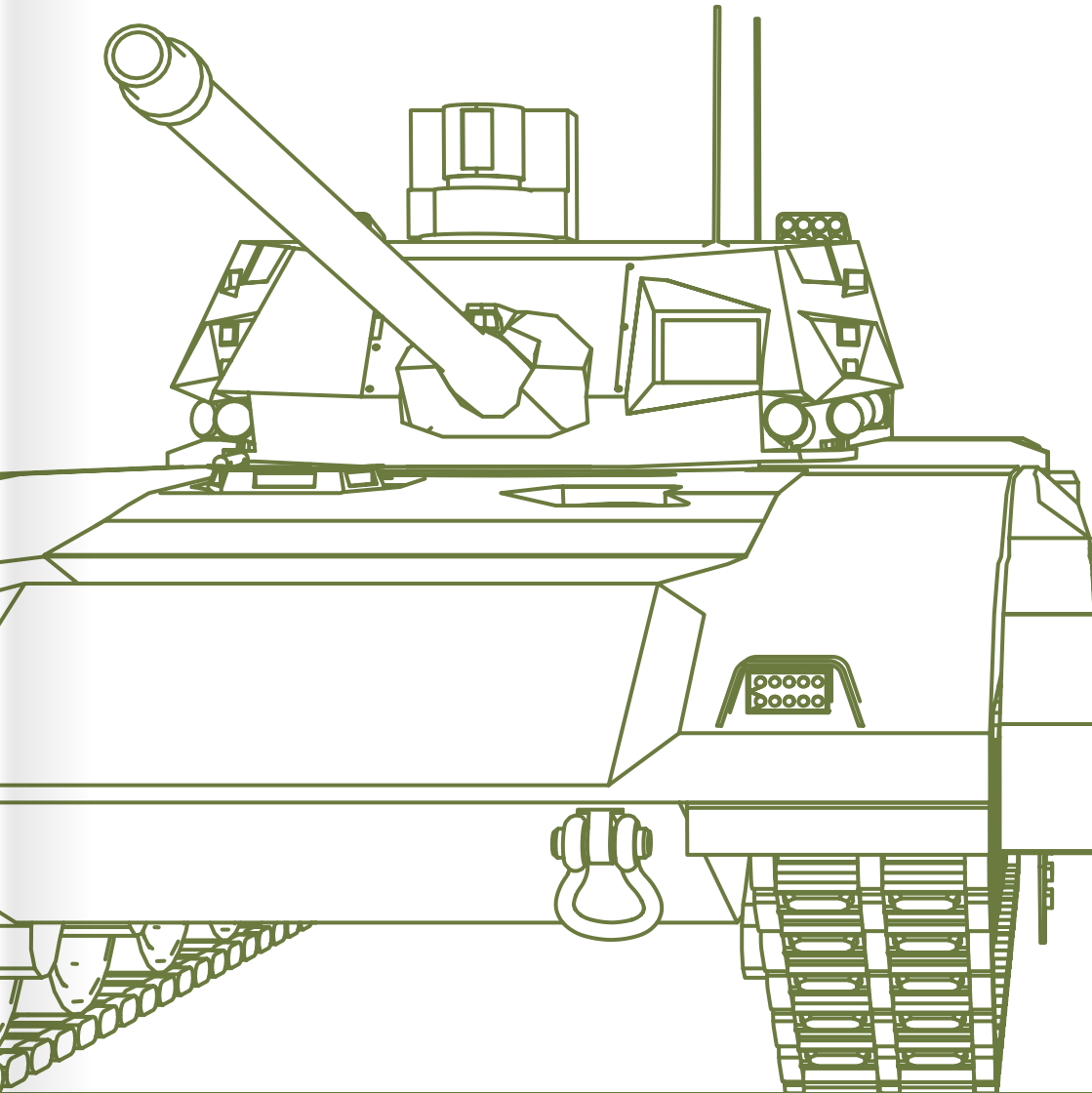
A bulk military fuel tank for defense missions. For the ultimate in logistical flexibility, our fully transportable, double-walled 20ft ISO container tank facilitates the movement of bulk fuel by road, rail or sea.



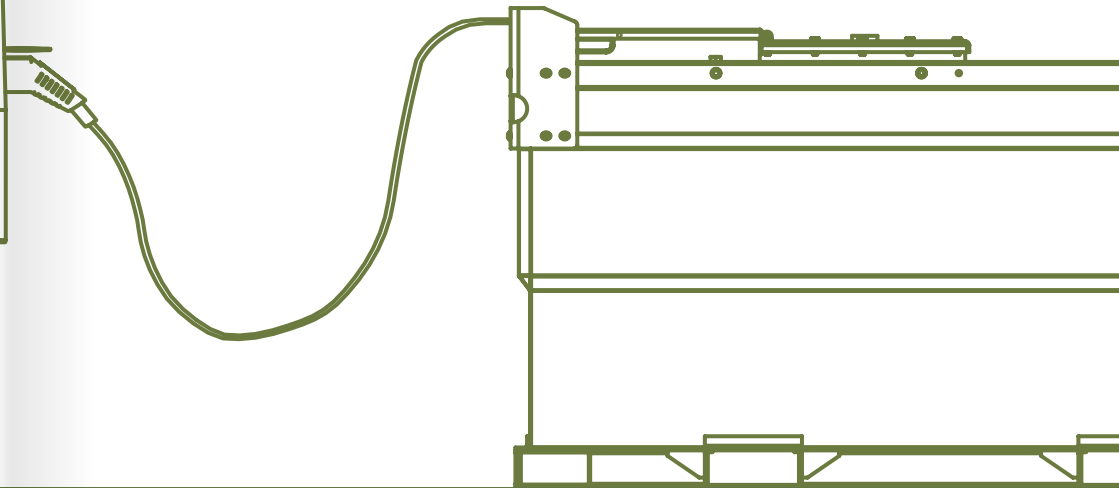
OFFLOADING & DISPENSING

Our offloading and dispensing systems ensure safe and efficient fuel management. Fuel is transferred from delivery tankers to storage tanks with minimal spillage, using advanced pumps & secure connections.

MISSION READY



MILITARY FUEL STORAGE SOLUTIONS



WESTERN[®] GLOBAL



Response ready fuel solutions

UK OFFICE

Western House
Broad Lane
Yate BS37 7LD, UK
+44 (0) 1454 227 277

USA OFFICE

1707 Northwood Drive
Troy Michigan
Michigan 48084, USA
+1 (203) 847 4300

TAA Compliant

Duns Number: 790231349

Cage Code: 4WMH3

DLA (JCP CERT)#: 0082472

NAICS: 332420, 423830, 423440, 423810,
423860, 493110, 493190, 424710, 423510

PSC's: 5430, R499, S215, X1GC, Y1GC,
1740, 2420, 2910, 8145

E: defense@western-global.com

W: western-global.com/defense

24 Hour Response Number: +1 833 919 3260

