



ÜRKER CHILLERS

AIR COOLED  
CHILLER





## ÜRKER CHILLERS | Provides a permanent solution!

Kemal Ürker Cooling Devices (Ürker Chillers) was established in 1981 and we are pleased to introduce our company to you.

Our company started its business with the installation of industrial cold stores and manufacture of refrigeration equipment. The installation of many cold storage plants with ammonia and freon gas, whose cooling circuits and machine rooms are complex and require high know-how, has been completed. In the first 30 years of its existence, Ürker Cooling has gained experience in the installation of cold storage warehouses with a focus on project planning and contracting. Chiller manufacturing was then identified as a focus after assessing the needs and business potential of the sector.

We are a manufacturing company whose aim is to provide economical solutions, while at the same time ensuring long life and high quality in chillers. Creating the right and lasting solution is the primary approach of our company. We are committed to the principle of pre-sale transparency. We prepare our offers accordingly.

Models with cooling capacity up to approx. 100 kw (Air Cooled Condensing Chiller) are available in stock. In order to ensure fast delivery times for models that are not in stock or for special requests, a stock of semi-finished products is also available.



### Our Vision

To create brand awareness, not only in Turkey but also abroad, by increasing the volume of exports day by day and to be one of the leading organizations contributing to the trust in Turkish origin products.

### Our Mission

With our approach that considers customer satisfaction as the fundamental measure of success, we aim to provide to high-quality, long-lasting refrigerators. We want to actively compete with stakeholders who are striving to produce higher quality products. Our aim is to meet the needs of conscious users through our transparent and principled sales policy.

## TECHNICAL PROPERTIES

### Frame;

The high-strength structure is made from galvanised sheet metal. It is coated with electrostatic powder paint. Air flow is critical for the removal of heat from the refrigerant. The construction has been designed to keep the airflow at an ideal level.

### Compressor;

Each series uses a different type of compressor. The ideal compressors have been selected and modelled according to the capacity range. All but one model have a 3-phase compressor. All have internal overload protection and crankcase heater. Some models have additional protections such as temperature control, oil pressure/level control. To absorb vibration, rubber feet are used. All have vibration absorbers for the refrigerant suction and discharge lines, except the UC AV series. All compressors are equipped with valves for the refrigerant suction and discharge lines.



### Condenser;

Two different types of condenser coils are used;

- Copper pipe & Aluminium fin (Traditional)
- Aluminium channel and fin (Microchannel)

For efficient operation of the chiller, the sizing of condenser is very important. Heat must be removed from the refrigerant in the system to make it ready for the new cycle. Condensers are sized to maintain the efficiency of the device at high ambient temperatures and are customised and applied on a project basis when necessary. The fouling factor is also considered when sizing. High performance is achieved with optimised aluminium fins and grooved copper tubes in conventional type products. Increasing the heat transfer surface with exploded fin applications provides additional performance. Micro channel condensers, on the other hand, are becoming increasingly popular due to their light weight, lower refrigerant charge and economic effects. In systems where we use microchannel condensers, rubber pads are used to minimise the possibility of galvanic corrosion and to prevent vibration from damaging the condenser.



### Fan;

Axial type fans are used. They are constructed to IP54 safety class and fitted with wire guards to ensure safety. Fans, which are directly related to the condenser coils, are selected according to the required flow rate depending on the condenser design in order to remove heat from the refrigerant. The use of fan on/off and/or fan speed controls on multi-fan units reduces energy consumption.

### Evaporator;

Depending on the capacity and design; plunge type copper serpentine inside the tank, stainless plate heat exchanger or Shell&Tube type evaporators are used. To prevent heat loss, each type of evaporator is insulated with elastomeric rubber material.

## Electrical Panel and Control Systems;



Status/Warning Panel

- Equipped with LED lamps.
- It can be seen whether the water pump and compressors are active or not.
- This makes it easier to identify the type of fault and to take the correct action.
- In independent two-circuit systems, one of the system compressors can be manually switched off.
- The water temperature can be monitored on the digital controller screen and the set value and various parameters can be changed.

- Phase protection relays are used as standard on three-phase units. The voltage value for each phase is shown on the LED display. There are warning LEDs depending on the type of fault.
- Thermal-magnetic circuit breakers are used for three-phase motors.
- Fuses are used for each of the single-phase motors.
- Depending on the model (except low capacity models), there is a main switch with a lever.
- There is an external general alarm relay configurable as dry contact/220 V.
- Liquid level relay for water level is available on request.
- Depending on the model (except some low capacity models), there are a water flow controller, frost controller and a time relay for the frost controller.



Electrical Protection & Control Equipment

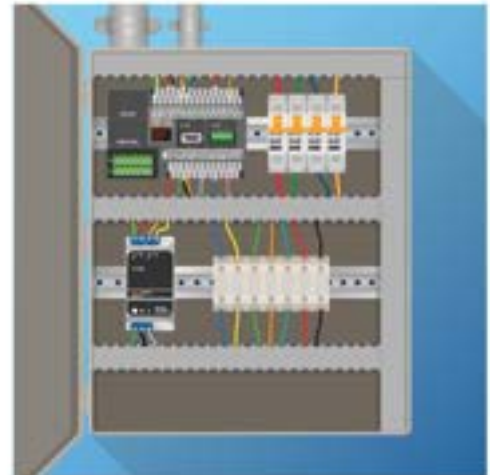


## PLC Controller;



- Capacity steps of the compressors, lubrication system, temperature and pressure values etc. are displayed.
- To save energy, the control of the compressor capacity steps and the activation/deactivation of the compressor are carried out automatically in response to the cooling demand.
- Warnings are displayed. (high/low pressure, water flow, freezing, phase protection, thermal protection, oil level/pressure)
- Slave controllers can be connected.

- Possibility to communicate with the central system.
- It allows our team to connect remotely, check the general status and operating conditions of the unit and report any corrective actions.
- The electronic expansion valve is controlled internally/externally.
- It can provide graphical outputs for monitoring parameter values.
- A special user control level can be created to prevent unauthorised access to all parameters.
- Fan configuration is provided depending on the high pressure. By taking data from pressure switch and/or fan speed controllers.
- Historical alarm records are maintained.
- Freezing is prevented by controlling the lower temperature limits.
- Remote management and control is provided.



## Refrigerant Circuit;

Each circuit has filter drier, solenoid valve, sight glass, expansion valve, low-high pressure controller (low pressure automatic, high pressure manual reset), refrigerant pressure manometers. In some models, liquid tank, oil pressure regulator, oil level control, oil pressure gauge, etc. are fitted as standard.

## Refrigerant;

Capacity tables are arranged for units using Freon R407c refrigerant. In addition, new generation refrigerants with low global warming potential are used depending on operating conditions and/or demand.

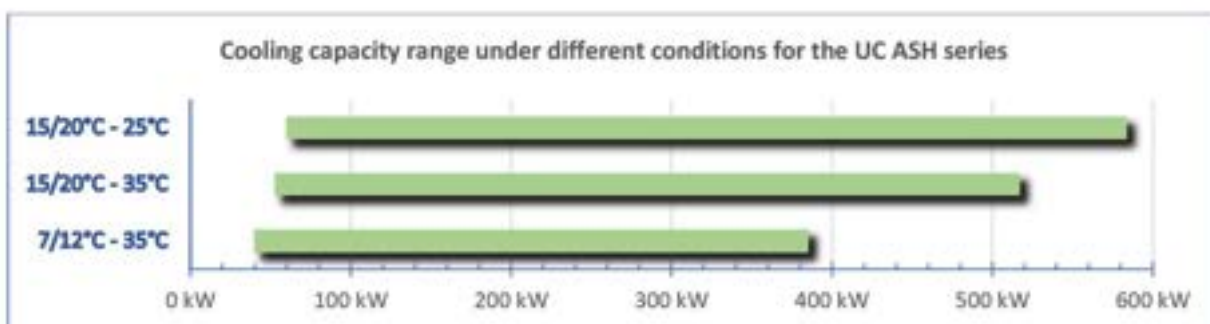
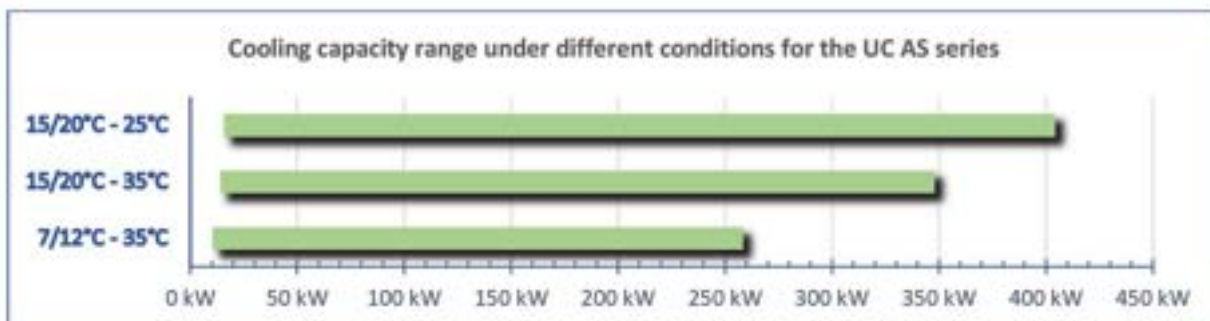
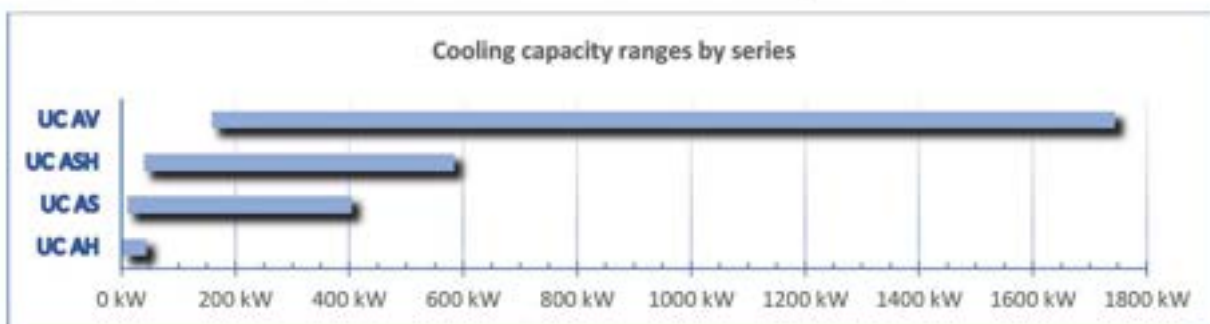
## SERIES

UC AH : Chillers with air-cooled condenser and hermetic piston compressors

UC AS : Chillers with air-cooled condenser and scroll compressors

UC ASH: Chillers with air-cooled condenser and semi-hermetic piston compressors

UC AV : Chillers with air-cooled condenser and semi-hermetic screw compressors



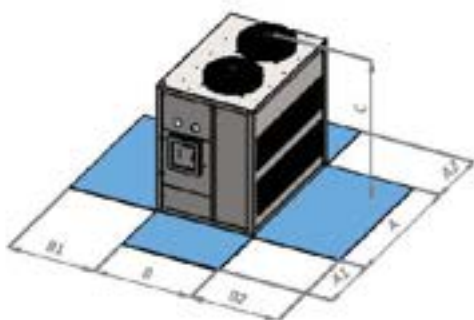
## UC AH SERIES

Model	UC AH	1.1	2.1	4.1	4+.1	7.1	6.1	8.1	12.1
<i>Reference Conditions (1) Water Inlet Temp.: 20°C, Water Outlet Temp.: 15°C, Ambient Temp.: 25°C</i>									
<b>Cooling Capacity</b>	kW	3,5	7,8	15,9	16,3	25,5	26,8	31,7	44,3
	kCal/h	2.968	6.750	13.708	14.018	21.917	23.048	27.262	38.098
<b>Input Power</b>	kW	1,1	2,3	3,9	3,8	6,4	6,2	7,4	10,8
<b>EER</b>		3,14	3,41	4,09	4,29	3,98	4,32	4,28	4,10
<i>Reference Conditions (2) Water Inlet Temp.: 20°C, Water Outlet Temp.: 15°C, Ambient Temp.: 35°C</i>									
<b>Cooling Capacity</b>	kW	3,0	7,1	13,9	14,1	22,6	23,5	27,3	38,6
	kCal/h	2.592	6.119	11.982	12.126	19.421	20.210	23.478	33.196
<b>Input Power</b>	kW	1,2	2,5	4,2	4,2	7,0	7,0	8,3	12,2
<b>EER</b>		2,51	2,85	3,32	3,36	3,23	3,36	3,29	3,16
<i>Reference Conditions (3) Water Inlet Temp.: 12°C, Water Outlet Temp.: 7°C, Ambient Temp.: 35°C</i>									
<b>Cooling Capacity</b>	kW	2,3	5,3	10,1	10,4	16,5	17,4	20,1	28,9
	kCal/h	2.018	4.541	8.685	8.944	14.171	14.964	17.286	24.854
<b>Input Power</b>	kW	1,1	2,2	3,6	3,8	6,0	6,2	7,3	10,7
<b>EER</b>		2,13	2,40	2,81	2,74	2,75	2,81	2,75	2,70

Model	UC AH	1.1	2.1	4.1	4+.1	7.1	6.1	8.1	12.1
<b>Refrigerant Circuit</b>	Nr	1	1	1	1	1	1	1	1
<b>Compressor Qty.</b>	Nr	1	1	1	1	1	1	1	1
<b>Condenser Type</b>		Cu-Al	Cu-Al	Cu-Al	Cu-Al	Cu-Al	Cu-Al	Cu-Al	Cu-Al
<b>Fan Qty. X Dia.</b>	Nr x mm	1 x 400	1 x 450	1 x 500	1 x 500	2 x 450	2 x 450	2 x 450	2 x 500
<b>Fan Motor Input</b>	kW	0,2	0,2	0,3	0,3	0,5	0,5	0,5	0,7
<b>Air Flow</b>	m³/h	3.892	5.125	6.704	6.704	10.250	10.250	10.250	13.408
<b>Evaporator Type</b>		PHE	Serpentine			Shell & Tube			
<b>Water Flow (ref.1)</b>	m³/h	0,6	1,4	2,7	2,8	4,4	4,6	5,5	7,6



## UC AH SERIES TABLE OF DIMENSIONS



- A1 in the dimension table is the clearance for panel service, A2 is the clearance for plumbing, B1 and B2 are the clearances required for air intake and/or service.
- The A2 value may vary according to the equipment to be used and the structure of the installation.
- For trouble-free operation of the unit, the air inlet clearances must be arranged according to the minimum value indicated in the table.

Model	UC AH	1.1	2.1	4.1	4+.1	7.1	6.1	8.1	12.1
A	mm	740	900	1.000	1.000	1.450	1.450	1.800	1.800
B	mm	650	800	900	900	900	900	1.000	1.000
C	mm	1.010	1.310	1.330	1.330	1.410	1.410	1.860	1.860
A1	mm	600	600	600	600	600	600	600	600
A2	mm	500	500	500	500	500	500	500	500
B1	mm	600	600	600	600	800	800	800	800
B2	mm	800	800	800	800	800	800	800	800



# UC AS SERIES

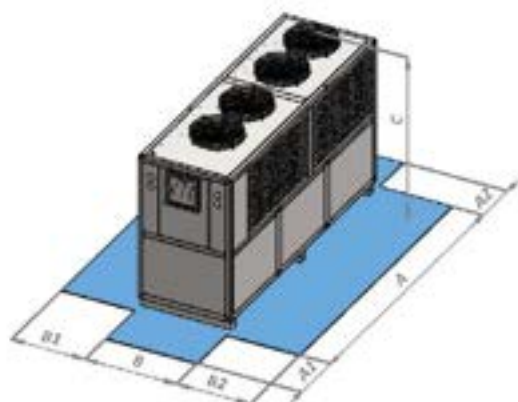
Model	UC AS	4.1	6.1	8.1	12.1	8.2	12.2	8.4	10.4
<i>Reference Conditions (1) Water Inlet Temp.: 20°C, Water Outlet Temp.: 15°C, Ambient Temp.: 25°C</i>									
<b>Cooling Capacity</b>	kW	15,9	24,8	32,7	46,3	65,5	92,5	134,9	164,2
	kCal/h	13.674	21.328	28.122	39.818	56.330	79.550	116.014	141.212
<b>Input Power</b>	kW	3,1	4,4	6,4	9,4	12,7	18,7	24,7	30,1
<b>EER</b>		5,13	5,64	5,11	4,93	5,16	4,95	5,46	5,46
<i>Reference Conditions (2) Water Inlet Temp.: 20°C, Water Outlet Temp.: 15°C, Ambient Temp.: 35°C</i>									
<b>Cooling Capacity</b>	kW	13,9	21,6	28,5	40,1	57,0	80,3	117,2	143,2
	kCal/h	11.954	18.576	24.510	34.486	49.020	69.058	100.792	123.152
<b>Input Power</b>	kW	3,7	5,3	7,5	11,2	15,1	22,3	29,3	35,6
<b>EER</b>		3,76	4,08	3,80	3,58	3,77	3,60	4,00	4,02
<i>Reference Conditions (3) Water Inlet Temp.: 12°C, Water Outlet Temp.: 7°C, Ambient Temp.: 35°C</i>									
<b>Cooling Capacity</b>	kW	10,4	16,3	21,5	30,7	43,0	61,4	88,1	108,1
	kCal/h	8.944	14.018	18.490	26.402	36.980	52.804	75.766	92.966
<b>Input Power</b>	kW	3,5	5,1	7,1	10,4	14,2	20,8	27,7	33,8
<b>EER</b>		2,97	3,20	3,03	2,95	3,03	2,95	3,18	3,20

Model	UC AS	12.4	8.6 (2)	10.6 (2)	8.8 (2)	12.6 (2)	10.8 (2)	12.8 (2)
<i>Reference Conditions (1) Water Inlet Temp.: 20°C, Water Outlet Temp.: 15°C, Ambient Temp.: 25°C</i>								
<b>Cooling Capacity</b>	kW	188,8	209,4	245,9	283,5	303,3	333,8	404,4
	kCal/h	162.368	180.084	211.474	243.810	260.838	287.068	347.784
<b>Input Power</b>	kW	36,5	38,9	47,4	52,1	55,9	63,1	74,6
<b>EER</b>		5,17	5,38	5,19	5,44	5,43	5,29	5,42
<i>Reference Conditions (2) Water Inlet Temp.: 20°C, Water Outlet Temp.: 15°C, Ambient Temp.: 35°C</i>								
<b>Cooling Capacity</b>	kW	163,0	181,6	214,1	245,1	261,1	290,4	348,1
	kCal/h	140.180	156.176	184.126	210.786	224.546	249.744	299.366
<b>Input Power</b>	kW	43,8	45,7	55,7	61,1	66,1	74,0	88,1
<b>EER</b>		3,72	3,97	3,84	4,01	3,95	3,92	3,95
<i>Reference Conditions (3) Water Inlet Temp.: 12°C, Water Outlet Temp.: 7°C, Ambient Temp.: 35°C</i>								
<b>Cooling Capacity</b>	kW	124,3	133,7	160,7	179,9	193,9	216,6	258,5
	kCal/h	106.898	114.982	138.202	154.714	166.754	186.276	222.310
<b>Input Power</b>	kW	40,9	44,5	53,5	59,8	64,1	71,5	85,5
<b>EER</b>		3,04	3,00	3,00	3,01	3,02	3,03	3,02

Model	UC AS	4.1	6.1	8.1	12.1	8.2	12.2	8.4	10.4
Refrigerant Circuit	Nr	1	1	1	1	2	2	2	2
Compressor Qty.	Nr	1	1	1	1	2	2	4	4
Condenser Type		Cu-Al	Cu-Al	Cu-Al	Cu-Al	Cu-Al	Cu-Al	Cu-Al	Cu-Al
Fan Qty. X Dia.	Nr x mm	1 x 500	2 x 450	2 x 450	2 x 500	4 x 450	4 x 500	6 x 500	8 x 500
Fan Motor Input	kW	0,3	0,5	0,5	0,7	1,0	1,3	2,0	2,6
Air Flow	m <sup>3</sup> /h	6.704	10.250	10.250	13.408	20.500	26.816	40.224	53.632
Evaporator Type		Serpentine	Shell & Tube						
Water Flow (ref.1)	m <sup>3</sup> /h	2,7	4,3	5,6	8,0	11,3	15,9	23,2	28,2

Model	UC AS	12.4	8.6 (2)	10.6 (2)	8.8 (2)	12.6 (2)	10.8 (2)	12.8 (2)
Refrigerant Circuit	Nr	2	2	2	2	2	2	2
Compressor Qty.	Nr	4	6	6	8	6	8	8
Condenser Type		Cu-Al	Micro channel	Micro channel	Micro channel	Micro channel	Micro channel	Micro channel
Fan Qty. X Dia.	Nr x mm	8 x 500	4 x 800	4 x 800	6 x 800	6 x 800	6 x 800	8 x 800
Fan Motor Input	kW	2,6	5,6	5,6	8,4	8,4	8,4	11,2
Air Flow	m <sup>3</sup> /h	53.632	96.400	96.400	144.600	144.600	144.600	192.800
Evaporator Type		Shell & Tube						
Water Flow (ref.1)	m <sup>3</sup> /h	32,5	36,0	42,3	48,8	52,2	57,4	69,6

## UC AS SERIES TABLE OF DIMENSIONS



- A1 in the dimension table is the clearance for panel service, A2 is the clearance for plumbing, B1 and B2 are the clearances required for air intake and/or service.
- The A2 value may vary according to the equipment to be used and the structure of the installation.
- For trouble-free operation of the unit, the air inlet clearances must be arranged according to the minimum value indicated in the table.

Model	UC AS	4.1	6.1	8.1	12.1	8.2	12.2	8.4	10.4
A	mm	1.000	1.450	1.800	1.800	3.150	3.150	3.000	3.300
B	mm	900	900	1.000	1.000	1.000	1.000	1.765	1.850
C	mm	1.330	1.410	1.860	1.860	1.860	1.860	1.940	2.050
A1	mm	600	600	600	600	600	600	800	800
A2	mm	500	500	500	500	500	500	500	500
B1	mm	600	800	800	800	800	800	1.000	1.000
B2	mm	800	800	800	800	800	800	1.000	1.000

Model	UC AS	12.4	8.6 (2)	10.6 (2)	8.8 (2)	12.6 (2)	10.8 (2)	12.8 (2)
A	mm	3.300	2.900	2.900	3.350	3.350	3.350	4.350
B	mm	1.850	2.300	2.300	2.300	2.300	2.300	2.300
C	mm	2.050	2.500	2.500	2.500	2.500	2.500	2.500
A1	mm	800	800	800	800	800	800	800
A2	mm	500	500	500	500	500	500	500
B1	mm	1.000	1.200	1.200	1.200	1.200	1.200	1.200
B2	mm	1.000	1.200	1.200	1.200	1.200	1.200	1.200



# UC ASH SERIES

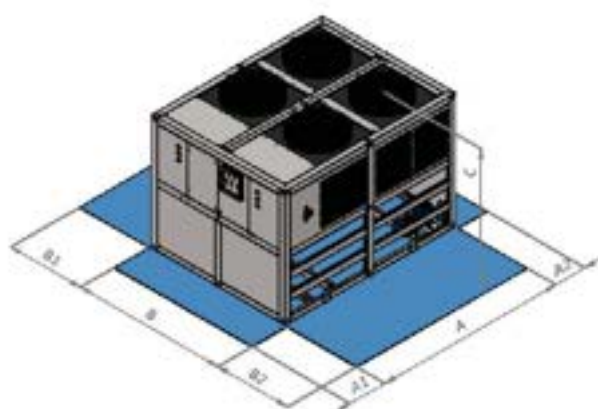
Model	UC ASH	15.1	20.1	25.1	30.1	35.1	15.2	20.2	40.1
<i>Reference Conditions (1) Water Inlet Temp.: 20°C, Water Outlet Temp.: 15°C, Ambient Temp.: 25°C</i>									
<b>Cooling Capacity</b>	kW	59,6	66,5	79,5	99,4	119,2	119,2	133,0	145,2
	kCal/h	51.256	57.190	68.370	85.484	102.512	102.512	114.380	124.872
<b>Input Power</b>	kW	12,6	13,6	16,8	21,3	25,5	25,3	27,2	31,3
<b>EER</b>		4,73	4,89	4,73	4,67	4,67	4,71	4,89	4,64
<i>Reference Conditions (2) Water Inlet Temp.: 20°C, Water Outlet Temp.: 15°C, Ambient Temp.: 35°C</i>									
<b>Cooling Capacity</b>	kW	52,4	58,8	69,9	87,9	105,0	104,8	117,6	127,1
	kCal/h	45.064	50.568	60.114	75.594	90.300	90.128	101.136	109.306
<b>Input Power</b>	kW	14,8	16,0	19,7	24,7	29,9	29,7	31,9	36,5
<b>EER</b>		3,54	3,68	3,55	3,56	3,51	3,53	3,69	3,48
<i>Reference Conditions (3) Water Inlet Temp.: 12°C, Water Outlet Temp.: 7°C, Ambient Temp.: 35°C</i>									
<b>Cooling Capacity</b>	kW	39,9	45,0	53,2	67,1	79,8	79,9	90,0	97,0
	kCal/h	34.348	38.700	45.752	57.706	68.628	68.714	77.400	83.420
<b>Input Power</b>	kW	13,1	14,2	17,4	22,2	26,5	26,2	28,4	32,6
<b>EER</b>		3,05	3,17	3,06	3,02	3,01	3,05	3,17	2,98

Model	UC ASH	25.2	30.2	35.2	40.2	50.2	60.2	70.2	80.2
<i>Reference Conditions (1) Water Inlet Temp.: 20°C, Water Outlet Temp.: 15°C, Ambient Temp.: 25°C</i>									
<b>Cooling Capacity</b>	kW	159,1	198,7	238,4	290,5	364,5	440,0	496,6	566,5
	kCal/h	136.826	170.882	205.024	249.830	313.470	378.400	427.076	487.190
<b>Input Power</b>	kW	33,6	42,6	51,0	62,5	75,4	87,6	99,5	117,4
<b>EER</b>		4,74	4,66	4,67	4,65	4,83	5,02	4,99	4,83
<i>Reference Conditions (2) Water Inlet Temp.: 20°C, Water Outlet Temp.: 15°C, Ambient Temp.: 35°C</i>									
<b>Cooling Capacity</b>	kW	139,8	175,8	210,0	254,3	319,8	387,4	439,0	501,1
	kCal/h	120.228	151.188	180.600	218.698	275.028	333.164	377.540	430.946
<b>Input Power</b>	kW	39,4	49,4	59,9	72,9	87,6	101,7	115,6	134,6
<b>EER</b>		3,55	3,56	3,51	3,49	3,65	3,81	3,80	3,72
<i>Reference Conditions (3) Water Inlet Temp.: 12°C, Water Outlet Temp.: 7°C, Ambient Temp.: 35°C</i>									
<b>Cooling Capacity</b>	kW	106,4	134,1	159,6	194,0	241,3	294,0	330,6	379,6
	kCal/h	91.504	115.326	137.256	166.840	207.518	252.840	284.316	326.456
<b>Input Power</b>	kW	34,7	44,3	53,0	65,1	78,1	91,1	103,8	119,3
<b>EER</b>		3,07	3,03	3,01	2,98	3,09	3,23	3,18	3,18

Model	UC ASH	15.1	20.1	25.1	30.1	35.1	15.2	20.2	40.1
<i>Refrigerant Circuit</i>	Nr	1	1	1	1	1	2	2	1
<i>Compressor Qty.</i>	Nr	1	1	1	1	1	2	2	1
<i>Condenser Type</i>		Cu-Al	Cu-Al	Cu-Al	Cu-Al	Cu-Al	Cu-Al	Cu-Al	Cu-Al
<i>Fan Qty. X Dia.</i>	Nr x mm	3 x 500	3 x 500	4 x 500	2 x 800	2 x 800	6 x 500	6 x 500	3 x 800
<i>Fan Motor Input</i>	kW	1,0	1,0	1,3	2,8	2,8	2,0	2,0	4,2
<i>Air Flow</i>	m <sup>3</sup> /h	20.112	20.112	26.816	48.200	48.200	40.224	40.224	72.300
<i>Evaporator Type</i>		<i>Shell &amp; Tube</i>							
<i>Water Flow (ref.1)</i>	m <sup>3</sup> /h	10,3	11,4	13,7	17,1	20,5	20,5	22,9	25,0

Model	UC ASH	25.2	30.2	35.2	40.2	50.2	60.2	70.2	80.2
<i>Refrigerant Circuit</i>	Nr	2	2	2	2	2	2	2	2
<i>Compressor Qty.</i>	Nr	2	2	2	2	2	2	2	2
<i>Condenser Type</i>		Cu-Al	Cu-Al	Cu-Al	Cu-Al	Cu-Al	Cu-Al	Cu-Al	Cu-Al
<i>Fan Qty. X Dia.</i>	Nr x mm	8 x 500	4 x 800	4 x 800	6 x 800	6 x 800	6 x 800	8 x 800	8 x 800
<i>Fan Motor Input</i>	kW	2,6	5,6	5,6	8,4	8,4	8,4	11,2	11,2
<i>Air Flow</i>	m <sup>3</sup> /h	53.632	96.400	96.400	144.600	144.600	144.600	192.800	192.800
<i>Evaporator Type</i>		<i>Shell &amp; Tube</i>							
<i>Water Flow (ref.1)</i>	m <sup>3</sup> /h	27,4	34,2	41,0	50,0	62,7	75,7	85,4	97,4

## UC ASH SERIES TABLE OF DIMENSIONS



- A1 in the dimension table is the clearance for panel service, A2 is the clearance for plumbing, B1 and B2 are the clearances required for air intake and/or service.
- The A2 value may vary according to the equipment to be used and the structure of the installation.
- For trouble-free operation of the unit, the air inlet clearances must be arranged according to the minimum value indicated in the table.

Model	UC ASH	15.1	20.1	25.1	30.1	35.1	15.2	20.2	40.1
A	mm	2.210	2.770	2.910	3.100	3.300	2.310	2.870	3.500
B	mm	1.000	1.000	1.000	1.200	1.200	1.765	1.765	1.200
C	mm	1.850	1.850	1.960	2.260	2.260	1.940	1.940	2.050
A1	mm	600	600	600	650	650	600	800	650
A2	mm	500	500	500	500	500	500	500	500
B1	mm	1.000	1.000	1.000	1.200	1.200	1.200	1.200	1.200
B2	mm	1.000	1.000	1.000	1.200	1.200	1.200	1.200	1.200

Model	UC ASH	25.2	30.2	35.2	40.2	50.2	60.2	70.2	80.2
A	mm	3.200	2.950	3.200	3.500	3.650	3.650	4.750	4.750
B	mm	1.850	2.370	2.370	2.370	2.370	2.370	2.370	2.370
C	mm	2.050	2.260	2.260	2.260	2.760	2.760	2.760	2.760
A1	mm	800	600	600	600	600	800	800	800
A2	mm	500	500	500	500	500	500	500	500
B1	mm	1.200	1.200	1.200	1.200	1.200	1.200	1.200	1.200
B2	mm	1.200	1.200	1.200	1.200	1.200	1.200	1.200	1.200



# UC ASH SERIES

Model	UC ASH	50.1 (2)	30.2 (2)	60.1 (2)	35.2 (2)	70.1 (2)	75.1 (2)	80.1 (2)	40.2 (2)
<i>Reference Conditions (1) Water Inlet Temp.: 20°C, Water Outlet Temp.: 15°C, Ambient Temp.: 25°C</i>									
<b>Cooling Capacity</b>	kW	184,5	203,2	224,3	241,1	254,3	269,7	292,0	299,7
	kCal/h	158.632	174.752	192.898	207.346	218.698	231.942	251.120	257.742
<b>Input Power</b>	kW	39,0	41,3	44,5	50,4	51,8	55,5	60,0	59,7
<b>EER</b>		4,73	4,92	5,04	4,78	4,91	4,86	4,87	5,02
<i>Reference Conditions (2) Water Inlet Temp.: 20°C, Water Outlet Temp.: 15°C, Ambient Temp.: 35°C</i>									
<b>Cooling Capacity</b>	kW	161,6	179,6	197,6	212,2	224,1	238,9	258,6	262,5
	kCal/h	138.947	154.456	169.936	182.492	192.726	205.454	222.396	225.750
<b>Input Power</b>	kW	45,4	48,5	51,9	59,6	60,4	64,6	69,1	70,8
<b>EER</b>		3,56	3,70	3,81	3,56	3,71	3,70	3,74	3,71
<i>Reference Conditions (3) Water Inlet Temp.: 12°C, Water Outlet Temp.: 7°C, Ambient Temp.: 35°C</i>									
<b>Cooling Capacity</b>	kW	120,5	134,9	148,4	160,1	166,3	178,1	192,6	196,5
	kCal/h	103.590	116.014	127.624	137.686	143.018	153.166	165.636	168.990
<b>Input Power</b>	kW	41,1	44,2	47,2	53,2	55,5	59,2	62,7	64,5
<b>EER</b>		2,93	3,05	3,14	3,01	3,00	3,01	3,07	3,05

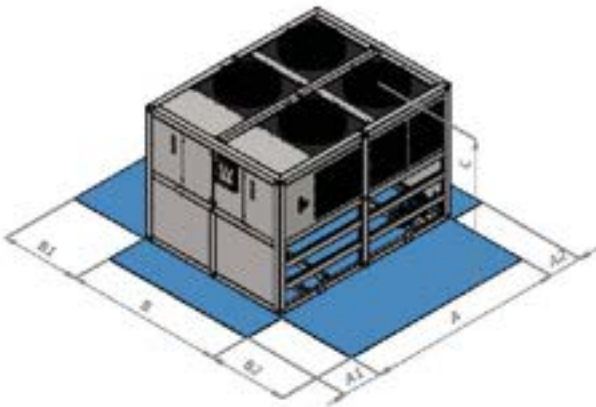
Model	UC ASH	50.2 (2)	60.2 (2)	70.2 (2)	75.2 (2)	80.2 (2)
<i>Reference Conditions (1) Water Inlet Temp.: 20°C, Water Outlet Temp.: 15°C, Ambient Temp.: 25°C</i>						
<b>Cooling Capacity</b>	kW	368,9	448,6	508,6	539,3	583,9
	kCal/h	317.254	385.796	437.396	463.798	502.154
<b>Input Power</b>	kW	78,1	89,0	103,6	110,9	119,9
<b>EER</b>		4,72	5,04	4,91	4,86	4,87
<i>Reference Conditions (2) Water Inlet Temp.: 20°C, Water Outlet Temp.: 15°C, Ambient Temp.: 35°C</i>						
<b>Cooling Capacity</b>	kW	323,1	395,2	448,2	477,9	517,2
	kCal/h	277.866	339.872	385.452	410.994	444.792
<b>Input Power</b>	kW	90,7	103,8	120,7	129,1	138,2
<b>EER</b>		3,56	3,81	3,71	3,70	3,74
<i>Reference Conditions (3) Water Inlet Temp.: 12°C, Water Outlet Temp.: 7°C, Ambient Temp.: 35°C</i>						
<b>Cooling Capacity</b>	kW	240,9	296,7	332,5	356,3	385,2
	kCal/h	207.174	255.162	285.950	306.418	331.272
<b>Input Power</b>	kW	82,1	94,4	110,9	118,3	125,5
<b>EER</b>		2,93	3,14	3,00	3,01	3,07



Model	UC ASH	50.1 (2)	30.2 (2)	60.1 (2)	35.2 (2)	70.1 (2)	75.1 (2)	80.1 (2)	40.2 (2)
<i>Refrigerant Circuit</i>	Nr	1	2	1	2	1	1	1	2
<i>Compressor Qty.</i>	Nr	1	2	1	2	1	1	1	2
<i>Condenser Type</i>		Micro Channel	Micro Channel	Micro Channel	Micro Channel	Micro Channel	Micro Channel	Micro Channel	Micro Channel
<i>Fan Qty. X Dia.</i>	Nr x mm	4 x 800	4 x 800	4 x 800	4 x 800	6 x 800	6 x 800	6 x 800	6 x 800
<i>Fan Motor Input</i>	kW	5,6	5,6	5,6	5,6	8,4	8,4	8,4	8,4
<i>Air Flow</i>	m <sup>3</sup> /h	96.400	96.400	96.400	96.400	144.600	144.600	144.600	144.600
<i>Evaporator Type</i>		Shell & Tube							
<i>Water Flow (ref.1)</i>	m <sup>3</sup> /h	31,7	35,0	38,6	41,5	43,7	46,4	50,2	51,5

Model	UC ASH	50.2 (2)	60.2 (2)	70.2 (2)	75.2 (2)	80.2 (2)	
<i>Refrigerant Circuit</i>	Nr	2	2	2	2	2	
<i>Compressor Qty.</i>	Nr	2	2	2	2	2	
<i>Condenser Type</i>		Micro Channel	Micro Channel	Micro Channel	Micro Channel	Micro Channel	
<i>Fan Qty. X Dia.</i>	Nr x mm	8 x 800	8 x 800	12 x 800	12 x 800	12 x 800	
<i>Fan Motor Input</i>	kW	11,2	11,2	16,8	16,8	16,8	
<i>Air Flow</i>	m <sup>3</sup> /h	192.800	192.800	289.200	289.200	289.200	
<i>Evaporator Type</i>		Shell & Tube					
<i>Water Flow (ref.1)</i>	m <sup>3</sup> /h	63,5	77,2	87,5	92,8	100,4	

## UC ASH SERIES TABLE OF DIMENSIONS



- A1 in the dimension table is the clearance for panel service, A2 is the clearance for plumbing, B1 and B2 are the clearances required for air intake and/or service.
- The A2 value may vary according to the equipment to be used and the structure of the installation.
- For trouble-free operation of the unit, the air inlet clearances must be arranged according to the minimum value indicated in the table.

Model	UC ASH	50.1 (2)	30.2 (2)	60.1 (2)	35.2 (2)	70.1 (2)	75.1 (2)	80.1 (2)	40.2 (2)
A	mm	2.700	2.900	2.700	2.900	3.350	3.350	3.350	3.350
B	mm	2.370	2.370	2.370	2.370	2.370	2.370	2.370	2.370
C	mm	2.500	2.500	2.500	2.500	2.500	2.500	2.500	2.500
A1	mm	800	600	800	600	800	800	800	600
A2	mm	500	500	500	500	500	500	500	500
B1	mm	1.200	1.200	1.200	1.200	1.200	1.200	1.200	1.200
B2	mm	1.200	1.200	1.200	1.200	1.200	1.200	1.200	1.200

Model	UC ASH	50.2 (2)	60.2 (2)	70.2 (2)	75.2 (2)	80.2 (2)
A	mm	4.350	4.350	6.350	6.350	6.350
B	mm	2.370	2.370	2.370	2.370	2.370
C	mm	2.500	2.500	2.500	2.500	2.500
A1	mm	600	800	800	800	800
A2	mm	500	500	500	500	500
B1	mm	1.200	1.200	1.200	1.200	1.200
B2	mm	1.200	1.200	1.200	1.200	1.200



# UC AV SERIES

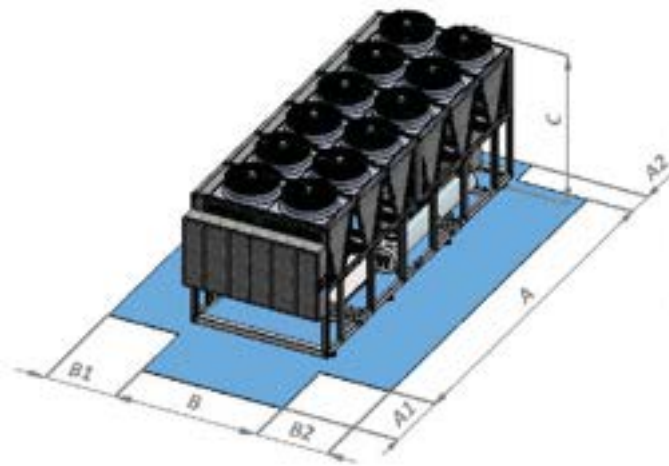
Model	UC AV	31.2	41.2	55.2	58.2	67.2	75.2	91.2	101.2
<i>Reference Conditions (1) Water Inlet Temp.: 20°C, Water Outlet Temp.: 15°C, Ambient Temp.: 25°C</i>									
<b>Cooling Capacity</b>	kW	240,8	325,0	407,8	450,2	555,0	598,4	749,8	830,6
	kCal/h	207.088	279.500	350.708	387.172	477.300	514.624	644.828	714.316
<b>Input Power</b>	kW	51,9	68,1	85,3	97,3	116,8	129,2	152,0	167,2
<b>EER</b>		4,64	4,77	4,78	4,63	4,75	4,63	4,93	4,97
<i>Reference Conditions (2) Water Inlet Temp.: 20°C, Water Outlet Temp.: 15°C, Ambient Temp.: 35°C</i>									
<b>Cooling Capacity</b>	kW	213,8	289,4	361,2	396,8	491,2	528,2	662,0	735,4
	kCal/h	183.868	248.884	310.632	341.248	422.432	454.252	569.320	632.444
<b>Input Power</b>	kW	60,1	78,7	98,9	113,3	135,6	150,0	176,4	193,8
<b>EER</b>		3,56	3,68	3,65	3,50	3,62	3,52	3,75	3,79
<i>Reference Conditions (3) Water Inlet Temp.: 12°C, Water Outlet Temp.: 7°C, Ambient Temp.: 35°C</i>									
<b>Cooling Capacity</b>	kW	162,2	208,6	275,6	304,4	375,2	404,6	507,2	561,8
	kCal/h	139.492	179.396	237.016	261.784	322.672	347.956	436.192	483.148
<b>Input Power</b>	kW	54,9	76,3	89,7	101,9	122,8	135,4	159,2	175,6
<b>EER</b>		2,95	2,73	3,07	2,99	3,06	2,99	3,19	3,20

Model	UC AV	108.2	121.2	141.2	152.2	162.2	175.2	183.2	208.2
<i>Reference Conditions (1) Water Inlet Temp.: 20°C, Water Outlet Temp.: 15°C, Ambient Temp.: 25°C</i>									
<b>Cooling Capacity</b>	kW	895,8	978,4	1.152,4	1.226,8	1.358,8	1.434,6	1.491,2	1.743,4
	kCal/h	770.388	841.424	991.064	1.055.048	1.168.568	1.233.756	1.282.432	1.499.324
<b>Input Power</b>	kW	184,2	200,1	232,9	245,2	272,0	290,0	306,2	352,1
<b>EER</b>		4,86	4,89	4,95	5,00	5,00	4,95	4,87	4,95
<i>Reference Conditions (2) Water Inlet Temp.: 20°C, Water Outlet Temp.: 15°C, Ambient Temp.: 35°C</i>									
<b>Cooling Capacity</b>	kW	791,2	866,0	1.018,4	1.088,6	1.204,4	1.269,8	1.315,4	1.540,2
	kCal/h	680.432	744.760	875.824	936.196	1.035.784	1.092.028	1.131.244	1.324.572
<b>Input Power</b>	kW	213,8	232,1	270,5	283,6	315,2	336,2	356,2	408,9
<b>EER</b>		3,70	3,73	3,76	3,84	3,82	3,78	3,69	3,77
<i>Reference Conditions (3) Water Inlet Temp.: 12°C, Water Outlet Temp.: 7°C, Ambient Temp.: 35°C</i>									
<b>Cooling Capacity</b>	kW	607,0	661,6	779,0	830,4	918,8	971,4	1.009,2	1.180,0
	kCal/h	522.020	568.976	669.940	714.144	790.168	835.404	867.912	1.014.800
<b>Input Power</b>	kW	192,6	210,3	244,5	257,4	286,0	304,2	321,0	369,1
<b>EER</b>		3,15	3,15	3,19	3,23	3,21	3,19	3,14	3,20

Model	UC AV	31.2	41.2	55.2	58.2	67.2	75.2	91.2	101.2
<i>Refrigerant Circuit</i>	Nr	2	2	2	2	2	2	2	2
<i>Compressor Qty.</i>	Nr	2	2	2	2	2	2	2	2
<i>Condenser Type</i>		Cu-Al	Cu-Al	Cu-Al	Cu-Al	Cu-Al	Cu-Al	Cu-Al	Cu-Al
<i>Fan Qty. X Dia.</i>	Nr x mm	4 x 800	6 x 800	6 x 800	6 x 800	8 x 800	8 x 800	10 x 800	12 x 800
<i>Fan Motor Input</i>	kW	5,6	8,4	8,4	8,4	11,2	11,2	14,0	16,8
<i>Air Flow</i>	m <sup>3</sup> /h	96.400	144.600	144.600	144.600	192.800	192.800	241.000	289.200
<i>Evaporator Type</i>		<i>Shell &amp; Tube</i>							
<i>Water Flow (ref.1)</i>	m <sup>3</sup> /h	41,4	55,9	70,1	77,4	95,5	102,9	129,0	142,9

Model	UC AV	108.2	121.2	141.2	152.2	162.2	175.2	183.2	208.2
<i>Refrigerant Circuit</i>	Nr	2	2	2	2	2	2	2	2
<i>Compressor Qty.</i>	Nr	2	2	2	2	2	2	2	2
<i>Condenser Type</i>		Cu-Al	Cu-Al	Cu-Al	Cu-Al	Cu-Al	Cu-Al	Cu-Al	Cu-Al
<i>Fan Qty. X Dia.</i>	Nr x mm	12 x 800	14 x 800	16 x 800	18 x 800	20 x 800	20 x 800	20 x 800	24 x 800
<i>Fan Motor Input</i>	kW	16,8	19,6	22,4	25,2	28,0	28,0	28,0	33,6
<i>Air Flow</i>	m <sup>3</sup> /h	289.200	337.400	385.600	433.800	482.000	482.000	482.000	578.400
<i>Evaporator Type</i>		<i>Shell &amp; Tube</i>							
<i>Water Flow (ref.1)</i>	m <sup>3</sup> /h	154,1	168,3	198,2	211,0	233,7	246,8	256,5	299,9

## UC AV SERIES TABLE OF DIMENSIONS



- A1 in the dimension table is the clearance for panel service, A2 is the clearance for plumbing, B1 and B2 are the clearances required for air intake and/or service.
- The A2 value may vary according to the equipment to be used and the structure of the installation.
- For trouble-free operation of the unit, the air inlet clearances must be arranged according to the minimum value indicated in the table.

Model	UC AV	31.2	41.2	55.2	58.2	67.2	75.2	91.2	101.2
A	mm	2.900	3.650	3.650	3.650	4.750	4.750	5.850	6.950
B	mm	2.370	2.370	2.370	2.370	2.370	2.370	2.370	2.370
C	mm	2.700	2.700	2.700	2.700	2.750	2.750	2.750	2.850
A1	mm	1.000	1.000	1.000	1.000	1.200	1.200	1.200	1.200
A2	mm	500	500	500	500	500	500	500	500
B1	mm	1.200	1.200	1.200	1.200	1.200	1.200	1.200	1.200
B2	mm	1.200	1.200	1.200	1.200	1.200	1.200	1.200	1.200

Model	UC AV	108.2	121.2	141.2	152.2	162.2	175.2	183.2	208.2
A	mm	6.950	8.050	9.150	10.250	11.350	11.350	11.350	13.550
B	mm	2.370	2.370	2.370	2.370	2.370	2.370	2.370	2.370
C	mm	2.850	2.850	2.850	2.970	2.970	2.970	2.970	2.970
A1	mm	1.200	1.200	1.200	1.200	1.200	1.200	1.200	1.200
A2	mm	500	500	500	500	500	500	500	500
B1	mm	1.200	1.200	1.200	1.200	1.200	1.200	1.200	1.200
B2	mm	1.200	1.200	1.200	1.200	1.200	1.200	1.200	1.200



## UC AV SERIES

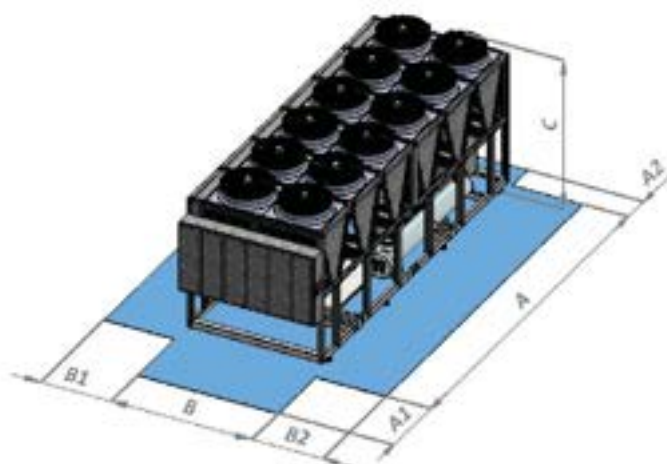
Model	UC AV	31.2 (2)	41.2 (2)	55.2 (2)	58.2 (2)	67.2 (2)	75.2 (2)	91.2 (2)	101.2 (2)
<i>Reference Conditions (1) Water Inlet Temp.: 20°C, Water Outlet Temp.: 15°C, Ambient Temp.: 25°C</i>									
<b>Cooling Capacity</b>	kW	235,8	319,0	413,8	458,6	559,6	604,8	753,4	830,6
	kCal/h	202.788	274.340	355.868	394.396	481.256	520.128	647.924	714.316
<b>Input Power</b>	kW	53,6	70,5	87,7	98,9	119,7	131,3	155,3	171,7
<b>EER</b>		4,40	4,52	4,72	4,64	4,68	4,61	4,85	4,84
<i>Reference Conditions (2) Water Inlet Temp.: 20°C, Water Outlet Temp.: 15°C, Ambient Temp.: 35°C</i>									
<b>Cooling Capacity</b>	kW	208,4	282,6	367,2	405,4	495,8	534,0	665,2	734,2
	kCal/h	179.224	243.036	315.792	348.644	426.388	459.240	572.072	631.412
<b>Input Power</b>	kW	62,2	81,5	101,1	114,5	138,3	152,3	179,9	198,7
<b>EER</b>		3,35	3,47	3,63	3,54	3,58	3,51	3,70	3,70
<i>Reference Conditions (3) Water Inlet Temp.: 12°C, Water Outlet Temp.: 7°C, Ambient Temp.: 35°C</i>									
<b>Cooling Capacity</b>	kW	158,4	214,0	277,4	308,4	376,4	406,6	507,2	559,0
	kCal/h	136.224	184.040	238.564	265.224	323.704	349.676	436.192	480.740
<b>Input Power</b>	kW	56,6	74,7	93,1	104,5	126,5	138,7	163,5	181,1
<b>EER</b>		2,80	2,86	2,98	2,95	2,98	2,93	3,10	3,09

Model	UC AV	108.2 (2)	121.2 (2)	141.2 (2)	152.2 (2)	162.2 (2)	175.2 (2)	183.2 (2)	208.2 (2)
<i>Reference Conditions (1) Water Inlet Temp.: 20°C, Water Outlet Temp.: 15°C, Ambient Temp.: 25°C</i>									
<b>Cooling Capacity</b>	kW	912,8	975,0	1.163,2	1.219,6	1.363,4	1.441,2	1.498,4	1.724,8
	kCal/h	785.008	838.500	1.000.352	1.048.856	1.172.524	1.239.432	1.288.624	1.483.328
<b>Input Power</b>	kW	187,6	205,8	238,4	252,0	279,4	297,0	313,0	362,7
<b>EER</b>		4,87	4,74	4,88	4,84	4,88	4,85	4,79	4,76
<i>Reference Conditions (2) Water Inlet Temp.: 20°C, Water Outlet Temp.: 15°C, Ambient Temp.: 35°C</i>									
<b>Cooling Capacity</b>	kW	808,4	862,0	1.029,4	1.078,6	1.206,2	1.273,6	1.323,6	1.520,8
	kCal/h	695.224	741.320	885.284	927.596	1.037.332	1.095.296	1.138.296	1.307.888
<b>Input Power</b>	kW	216,8	238,0	275,6	291,4	323,2	343,8	362,4	420,1
<b>EER</b>		3,73	3,62	3,74	3,70	3,73	3,70	3,65	3,62
<i>Reference Conditions (3) Water Inlet Temp.: 12°C, Water Outlet Temp.: 7°C, Ambient Temp.: 35°C</i>									
<b>Cooling Capacity</b>	kW	613,8	656,2	781,6	819,8	915,8	969,8	1.007,4	1.160,6
	kCal/h	527.868	564.332	672.176	705.028	787.588	834.028	866.364	998.116
<b>Input Power</b>	kW	198,2	216,8	252,0	266,0	295,6	313,2	330,2	381,5
<b>EER</b>		3,10	3,03	3,10	3,08	3,10	3,10	3,05	3,04

Model	UC AV	31.2 (2)	41.2 (2)	55.2 (2)	58.2 (2)	67.2 (2)	75.2 (2)	91.2 (2)	101.2 (2)
<i>Refrigerant Circuit</i>	Nr	2	2	2	2	2	2	2	2
<i>Compressor Qty.</i>	Nr	2	2	2	2	2	2	2	2
<i>Condenser Type</i>		Micro Channel	Micro Channel	Micro Channel	Micro Channel	Micro Channel	Micro Channel	Micro Channel	Micro Channel
<i>Fan Qty. X Dia.</i>	Nr x mm	4 x 800	6 x 800	8 x 800	8 x 800	10 x 800	10 x 800	12 x 800	14 x 800
<i>Fan Motor Input</i>	kW	5,6	8,4	11,2	11,2	14,0	14,0	16,8	19,6
<i>Air Flow</i>	m <sup>3</sup> /h	96.400	144.600	192.800	192.800	241.000	241.000	289.200	337.400
<i>Evaporator Type</i>		<i>Shell &amp; Tube</i>							
<i>Water Flow (ref.1)</i>	m <sup>3</sup> /h	40,6	54,9	71,2	78,9	96,3	104,0	129,6	142,9

Model	UC AV	108.2 (2)	121.2 (2)	141.2 (2)	152.2 (2)	162.2 (2)	175.2 (2)	183.2 (2)	208.2 (2)
<i>Refrigerant Circuit</i>	Nr	2	2	2	2	2	2	2	2
<i>Compressor Qty.</i>	Nr	2	2	2	2	2	2	2	2
<i>Condenser Type</i>		Micro Channel	Micro Channel	Micro Channel	Micro Channel	Micro Channel	Micro Channel	Micro Channel	Micro Channel
<i>Fan Qty. X Dia.</i>	Nr x mm	16 x 800	16 x 800	20 x 800	20 x 800	24 x 800	24 x 800	24 x 800	26 x 800
<i>Fan Motor Input</i>	kW	22,4	22,4	28,0	28,0	33,6	33,6	33,6	36,4
<i>Air Flow</i>	m <sup>3</sup> /h	385.600	385.600	482.000	482.000	578.400	578.400	578.400	626.600
<i>Evaporator Type</i>		<i>Shell &amp; Tube</i>							
<i>Water Flow (ref.1)</i>	m <sup>3</sup> /h	157,0	167,7	200,1	209,8	234,5	247,9	257,7	296,7

## UC AV SERIES TABLE OF DIMENSIONS



- A1 in the dimension table is the clearance for panel service, A2 is the clearance for plumbing, B1 and B2 are the clearances required for air intake and/or service.
- The A2 value may vary according to the equipment to be used and the structure of the installation.
- For trouble-free operation of the unit, the air inlet clearances must be arranged according to the minimum value indicated in the table.

Model	UC AV	31.2 (2)	41.2 (2)	55.2 (2)	58.2 (2)	67.2 (2)	75.2 (2)	91.2 (2)	101.2 (2)
A	mm	2.900	3.350	4.350	4.350	5.350	5.350	6.350	7.350
B	mm	2.370	2.370	2.370	2.370	2.370	2.370	2.370	2.370
C	mm	2.500	2.500	2.500	2.500	2.550	2.550	2.550	2.650
A1	mm	1.000	1.000	1.000	1.000	1.200	1.200	1.200	1.200
A2	mm	500	500	500	500	500	500	500	500
B1	mm	1.200	1.200	1.200	1.200	1.200	1.200	1.200	1.200
B2	mm	1.200	1.200	1.200	1.200	1.200	1.200	1.200	1.200

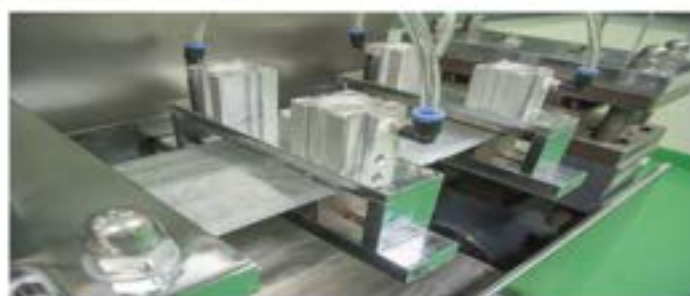
Model	UC AV	108.2 (2)	121.2 (2)	141.2 (2)	152.2 (2)	162.2 (2)	175.2 (2)	183.2 (2)	208.2 (2)
A	mm	8.350	8.350	10.350	10.350	12.350	12.350	12.350	13.350
B	mm	2.370	2.370	2.370	2.370	2.370	2.370	2.370	2.370
C	mm	2.650	2.650	2.650	2.770	2.770	2.770	2.770	2.770
A1	mm	1.200	1.200	1.200	1.200	1.200	1.200	1.200	1.200
A2	mm	500	500	500	500	500	500	500	500
B1	mm	1.200	1.200	1.200	1.200	1.200	1.200	1.200	1.200
B2	mm	1.200	1.200	1.200	1.200	1.200	1.200	1.200	1.200





## APPLICATION FIELDS









**SCAN ME**

*To visit our website*



**SCAN ME**

*To add our business card*



**SCAN ME**

*To send us a quick e-mail*



**SCAN ME**

*To visit our Instagram profile*



**ÜRKER CHILLERS**



**SCAN ME**

*To visit our LinkedIn profile*

İkitelli OSB. Mahallesi Pik Dökümcüler Sanayi Sitesi Sokak  
TEM34 İkitelli No: 27 İç Kapı No: 170  
Başakşehir - İSTANBUL - TÜRKİYE  
Phone: +90 212 501 48 67