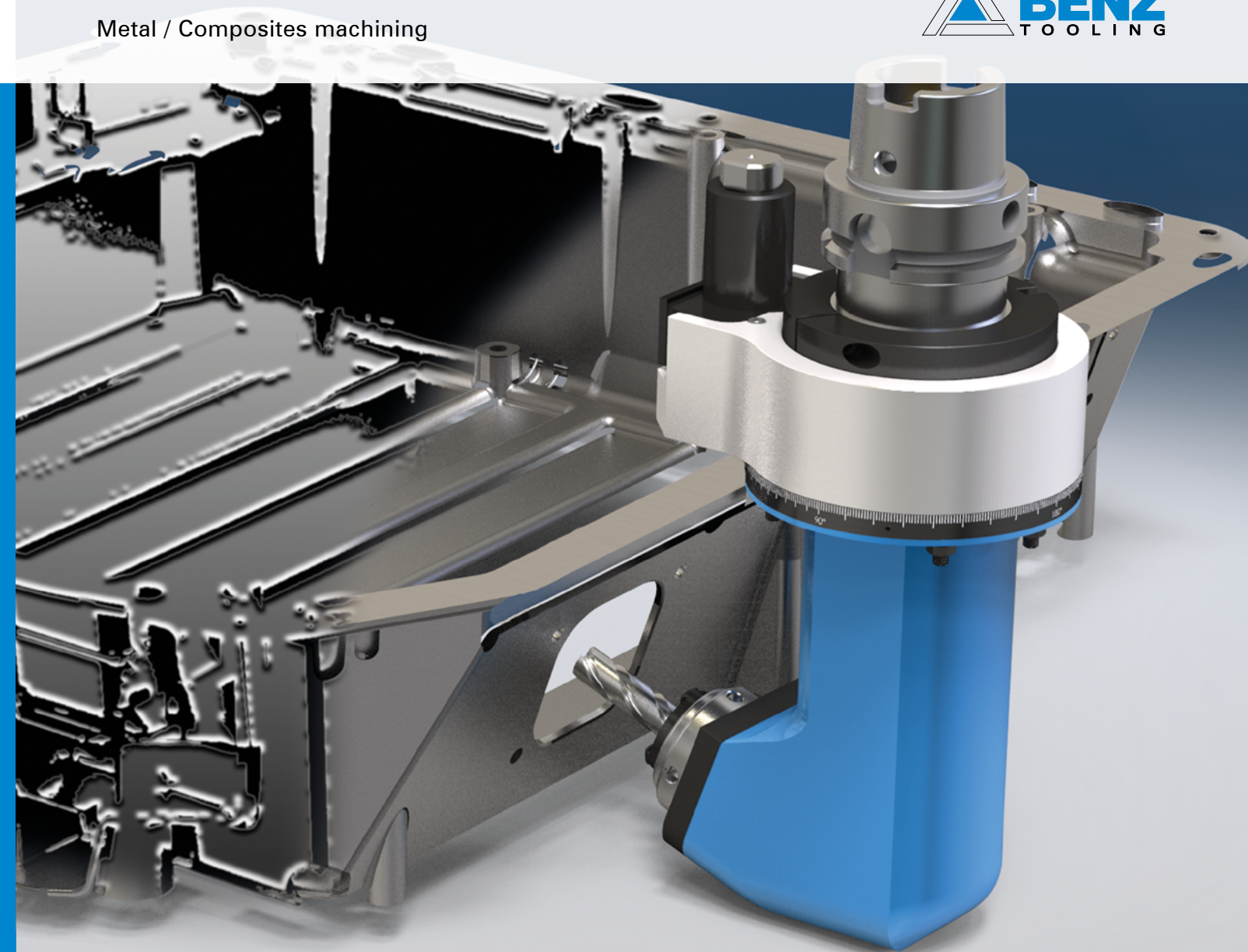


**NEW**  
2022/23

# HIGHLIGHTS

Tooling Technology

Metal / Composites machining

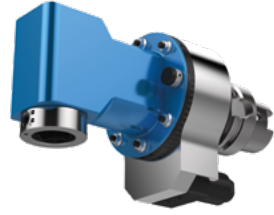


F-359187-EN-0922

**BENZ GmbH Werkzeugsysteme**

Im Mühlegrün 12  
D-77716 Haslach  
T +49 7832 704-0  
F +49 7832 704-8001  
info@benztooling.com  
www.benztooling.com

EXCHANGEABLE UNITS



**BENZ Angle Head WSX04**

The use of the compact BENZ size 04 angle heads on 3-axis machining centers opens up additional machining possibilities and reduces the number of workpiece set-ups.

- + Additional machining options at a comparably low investment cost



**BENZ Angle Head with MQL**

The innovative design principle of BENZ enables an optimal flow of the aerosol from the machine main spindle to the tool cutting edge.

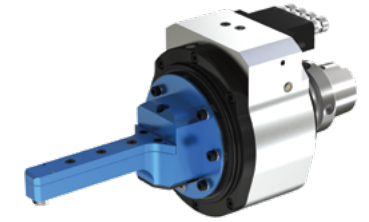
- + Very good machining quality
- + Less tool wear
- + Environmentally friendly machining



**BENZ Angle Head with automatic exchange function of the front tools**

In the production process quite often a wide range of tooling is used. Utilizing right angle heads capable of automatic front tool exchange enables a wide range of process variations during production.

- + Automatic set-up process
- + Optimized magazine allocation
- + No investments for further angle heads



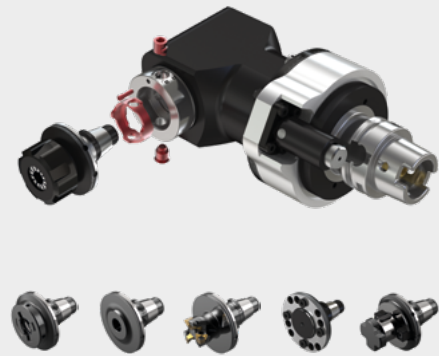
**BENZ Angle Head with C-axis function**

The BENZ angle head with automatic positioning in the C-axis simplifies the machining of complex components with bores in different angular positions.

- + Reduced investment costs due to lower number of tools
- + Optimisation of machining time per workpiece
- + Good retrofittability to existing machine concepts

MODULAR QUICK CHANGE SYSTEMS

**BENZ SOLIDFIX®**



Cut-out adapter catalogue: BENZ Modular Quick Change Systems

**BENZ CAPTO™**



**Saving of time**



**Cost reduction**

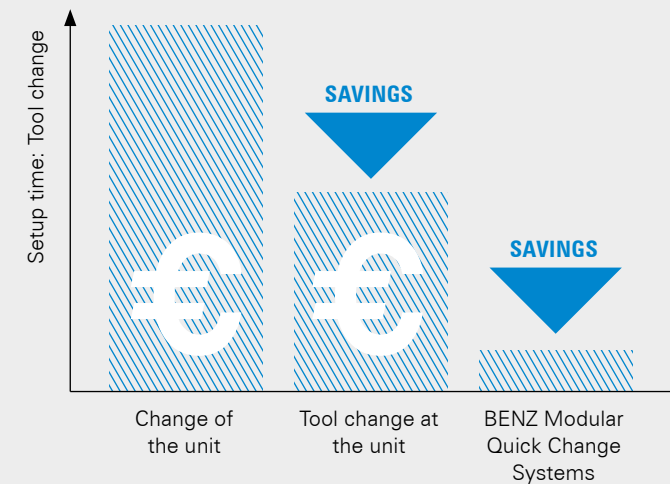


**Easy handling**



**Operating safety**

**Reduce set-up time = save costs**



TOOLING TECHNOLOGY

HIGH-SPEED SPINDLES

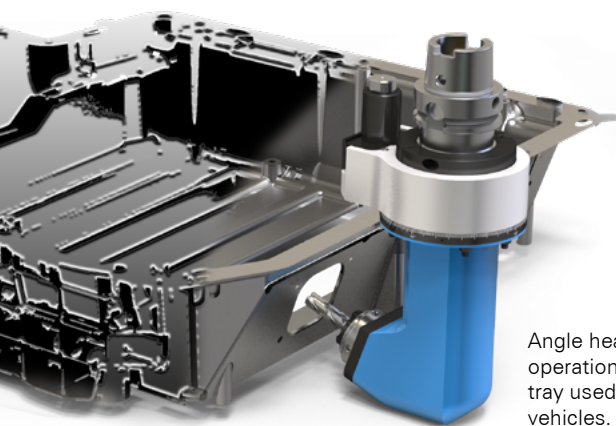


**BENZ SPEEDER-HD**

The BENZ SPEEDER-HD high-speed mechanical spindle for machining centres enables you to carry out milling work in high speed ranges.

- + Speeds of up to 40,000 rpm
- + Highest precision thanks to hydro expansion chuck

TREND TOPICS: E-MOBILITY



Angle head for milling operations on a battery tray used in electric vehicles.

SERVICES: WORLDWIDE



No matter where you are in the world, we are close by. From repair service to spare parts management all the way to on-site service - of course worldwide.

- + Global Service Call
- + Repair Service for units & motor spindles
- + Preventive Maintenance
- + Spare part service
- + Rapid Repair Kit

**BENZ i.tag**  
DIGITAL NAMEPLATE

With the digital nameplate **BENZ i.tag** all technical data and documents are always at hand and available. In addition, it allows you to contact our sales and service team via web, telephone and e-mail.

- + Easy readout via smartphone
- + Environmentally friendly - paperless access to all documents
- + Safety through SSL-encrypted communication



Full product information available at all times

