

1 cooling impeller up to 120°C

2 cooling impeller up to 250°C

- 1 cooling impeller up to 120°C
- 2 cooling impeller up to 250°C

- 1 cooling impeller up to 150°C
- 2 cooling impeller up to 300°C

- THERMAL INSULATION
- 2 cooling impeller up to 350°C

- 3 cooling impeller up to 450°C

New series of centrifugal fans for spray booths
EASY TO CONNECT

Need additional accessories to connect

- No additional accessories
- Easy and fast to connect

OLD **NEW**

CENTRIFUGAL FANS FOR SPRAY BOOTHS

The outlet flange does not create interference for mounting.

italsime
Macchine Elettriche s.r.l.
www.italsime.com - info@italsime.com

RAF Particulary suitable to uniform the material.
Material treated: sawdust and woodchips.

Centrifugal Refiner

IN **OUT**

italsime
Macchine Elettriche s.r.l.
www.italsime.com - info@italsime.com

TRD

Boccaglio telescopico - regola la pezzatura del materiale di scarto
Telescopic inlet - adjusts the size of the waste material

Girante con lame sagomate per il taglio del materiale
Impeller with shaped blades for cutting the material

VENTILATORI STRACCIACARTA
PER IL TRASPORTO PNEUMATICO DEL RIFILO

SHREDDER FANS
FOR THE PNEUMATIC TRANSPORT OF THE TRIMMING

HEAVY DUTY

italsime
Macchine Elettriche s.r.l.
www.italsime.com - info@italsime.com

Serie di ventilatori impiegata per tritare e sminuzzare prodotti filamentososi come le rifiniture dei bordi che si verificano nella produzione di carta e cartone. Il ventilatore è progettato in base alla larghezza del nastro di bordo, alla velocità di svolgimento, al tipo e allo spessore del materiale. Anche la resistenza alla trazione e il rivestimento dei rifiuti incidono nel calcolo dei parametri. Alcune pale della girante sono dotate di coltelli intercambiabili che tagliano il materiale cartaceo trasportato dal fluido.

This series of fans are used for shredding continuous products such as edge trims that occur, for example, in paper and board manufacturing. The fan's design is dependent on the width of the edge strips, the roll-off speed and the thickness of the material. Some of the impeller blades are fitted with replaceable cutters, with which the continuous strips are shredded.

RAF Particularly suitable to uniform the material. Material treated: sawdust and woodchips.

Centrifugal Refiner

IN OUT

Centrifugal Fans for the Wood Industry

Chemical derivatives production - Gelatine processes
Dialyzer processes - Storage and packaging - Explosion proof

Centrifugal Fan Chemical Industry

- De-dusting applications - Furnace abatement
- Exhaust and extraction - Air treatment
- Pneumatic transport - Packaging systems

TB series Open Blade
Dusty air
Granulated and fibrous material

Centrifugal fan for extraction systems.

Centrifugal Fan Chemical Industry

- Inlet cone
- Impeller
- Case
- Stainless Steel

New series of centrifugal fans for spray booths
EASY TO CONNECT

Need additional accessories or connect
No additional accessories
Easy and fast to connect

OLD NEW

CENTRIFUGAL FANS FOR SPRAY BOOTHS

Centrifugal Fans

NEW ARRANGEMENT
www.italsime.com

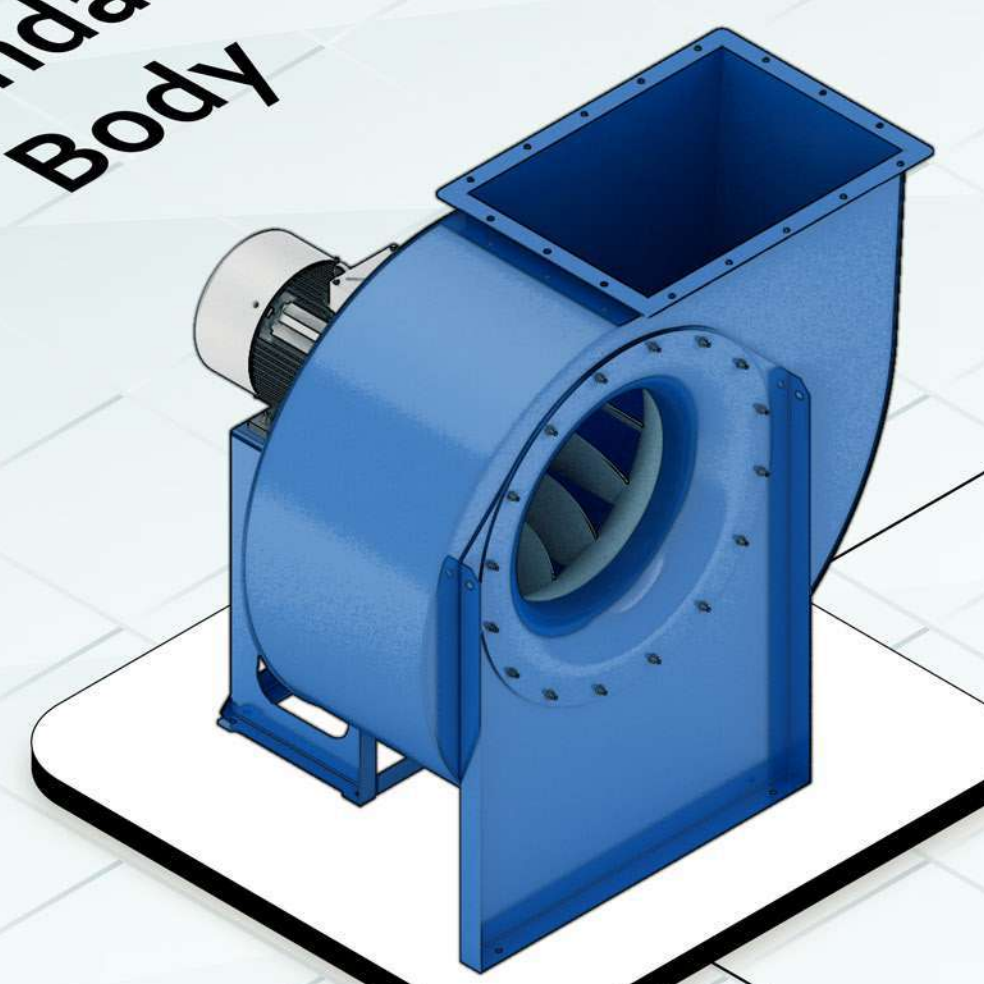
HEISSGASVENTILATOREN

Exhaust fan for 150°C
Exhaust fan for 200°C
Exhaust fan for 300°C
Exhaust fan for 450°C

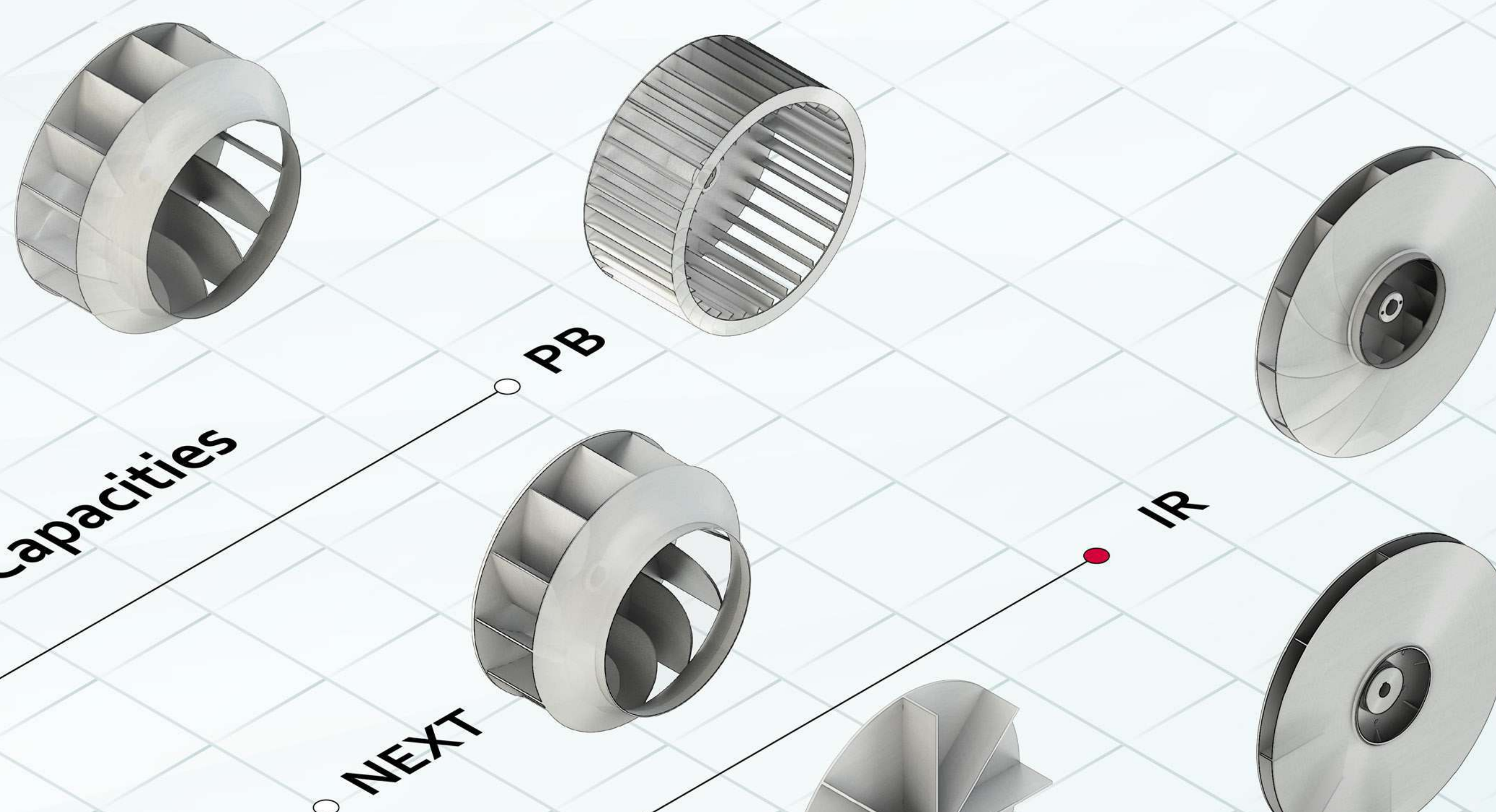


italsime
Macchine Elettriche s.r.l.
www.italsime.com - info@italsime.com

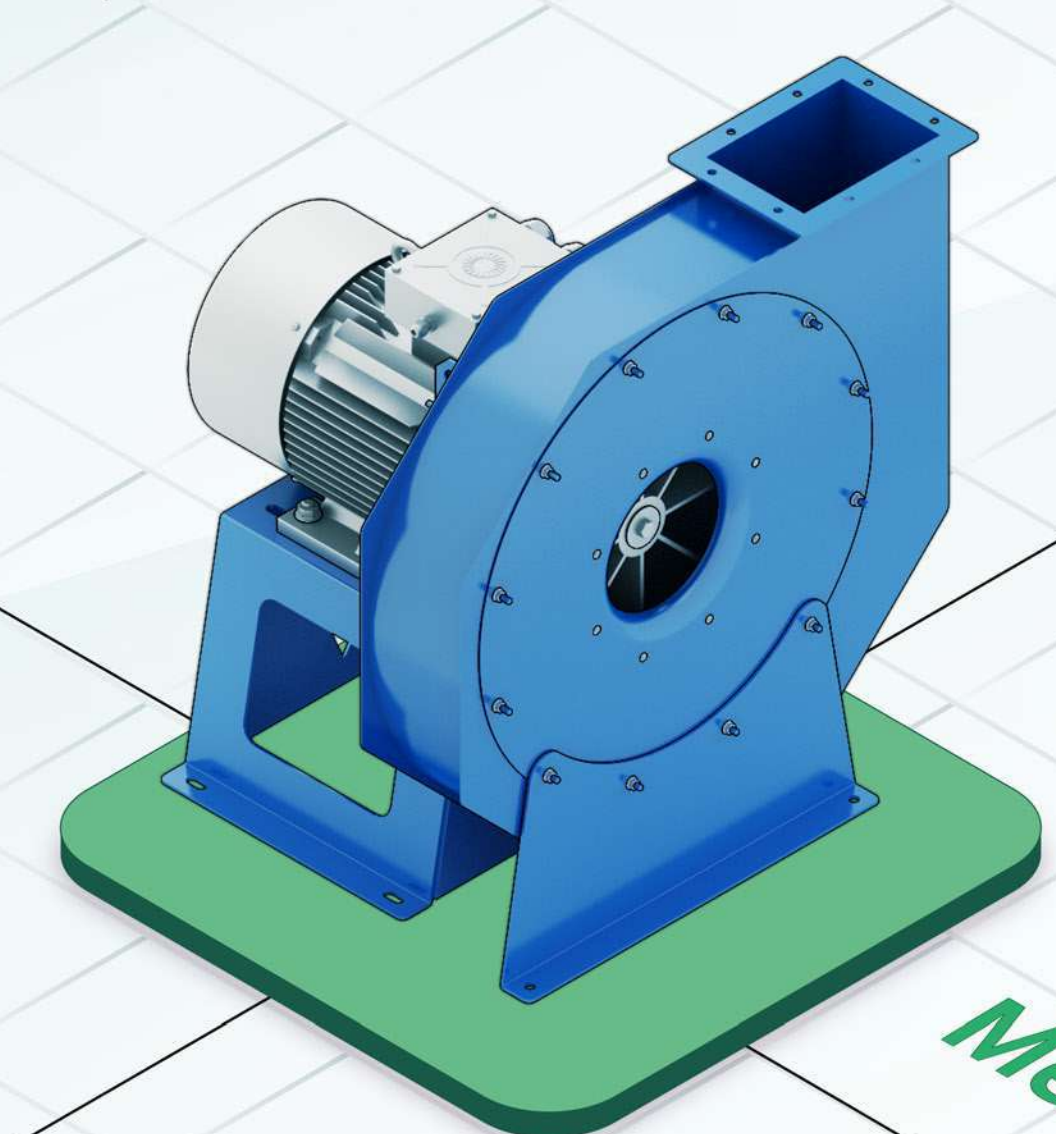
Standard Body



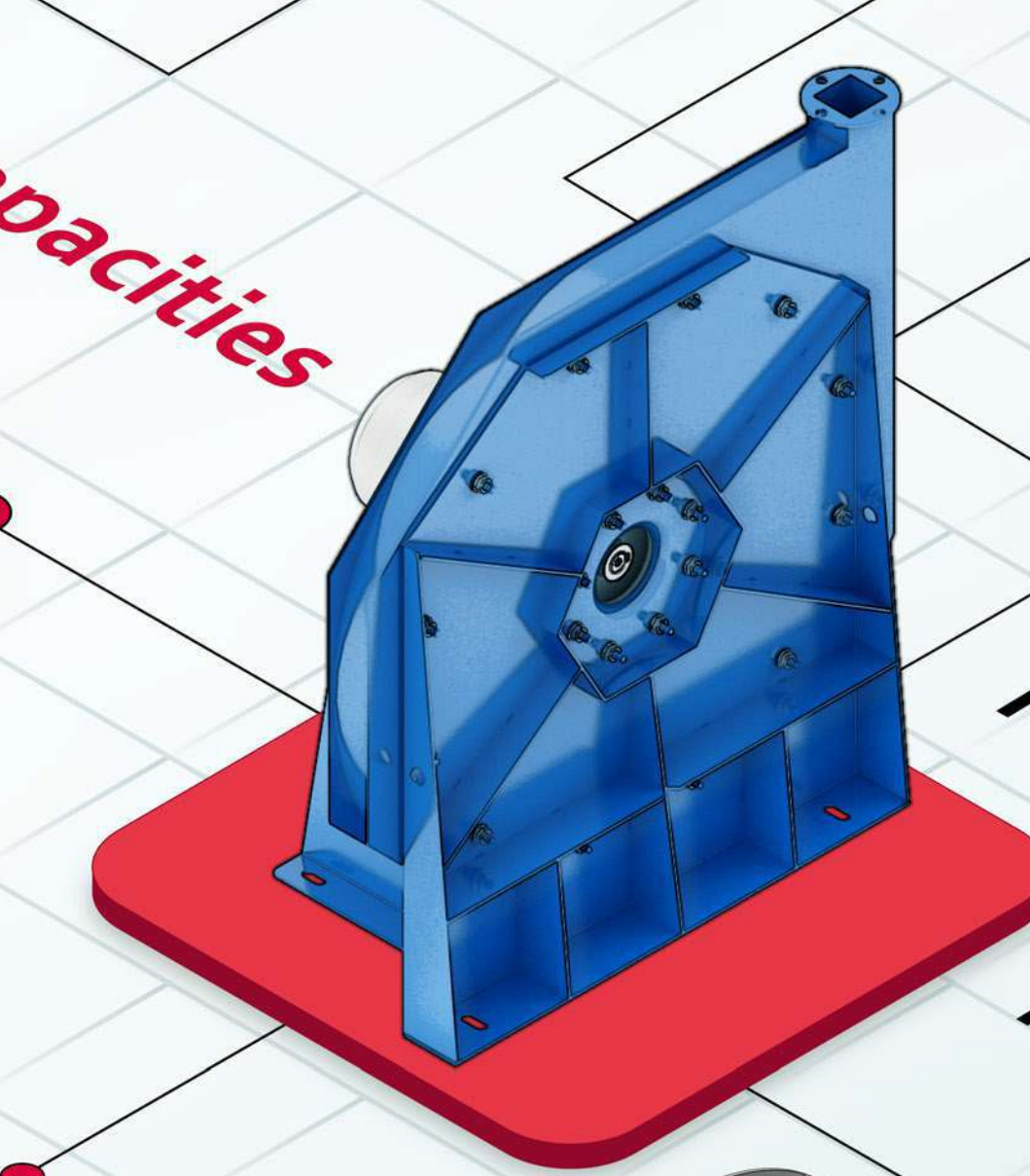
Low Capacities



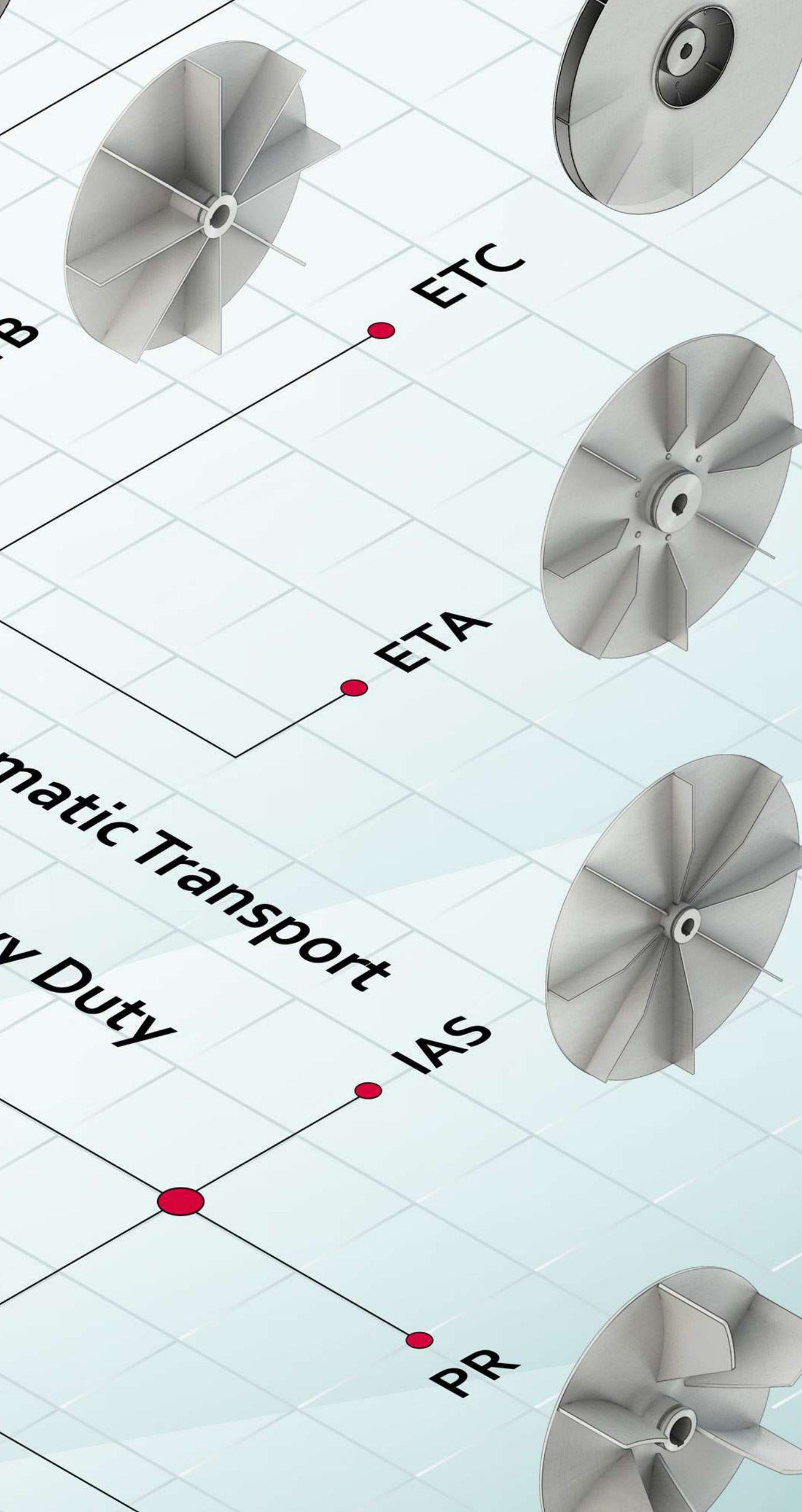
Heavy Duty



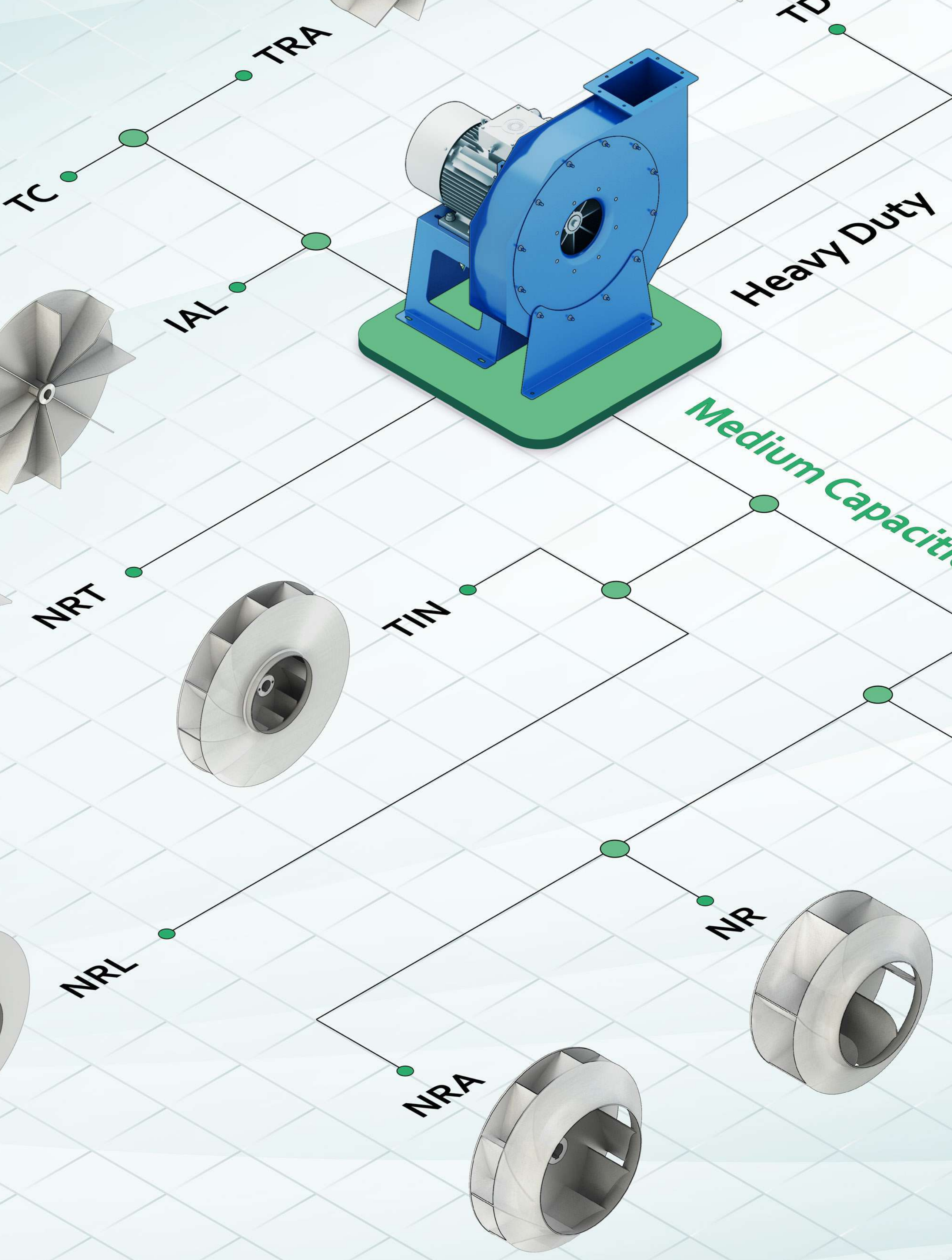
High Capacities



Pneumatic Transport Heavy Duty



Medium Capacities



Worm Gearbox Valve
Réducteur à vis sans fin à cloche rotative

AT&T IZ-3D

Réducteur axial à cloche rotative
Axial Gearbox Valve

Double inlet centrifugal fans for medium ventilation and air conditioning applications, ideal for the movement of air and light aggressive gas and vapors.

Plus Fans designed and manufactured with the high ability to adapt to different spaces and applications in mind.

Suitable for open-roof and air conditioning systems, used in all industrial, refrigeration equipment and machinery of all kinds.

Designed for medium and high pressure applications.

JETC - Medium pressure radial fan with high performance closed blade impeller.

Features:
• corrosion proof • sparking proof • silent working (-15% less than steel fans)
• resistant to high temperature (up to +120°C)

Cast aluminum fans

JETL - Medium pressure with high performance opened blade impeller. For the transport of air containing particulate.

Features:
• corrosion proof • sparking proof • silent working (-15% less than steel fans)
• resistant to high temperature (up to +120°C)

New Series XMC

Significantly improved performance

VENTILATORI STRACCANTINA PER A STACCHIAMENTO DEI FILI

SHREDDER FAN

HEAVY DUTY

Shredder fan for the removal of waste material.