



**Connecting Strength**

Mounting systems 





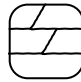

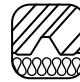








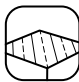


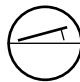
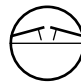
## **Warranty**

We offer a 12-year warranty on all K2 components in the system:  
[k2-systems.com/en/warranty](https://k2-systems.com/en/warranty)

# Content

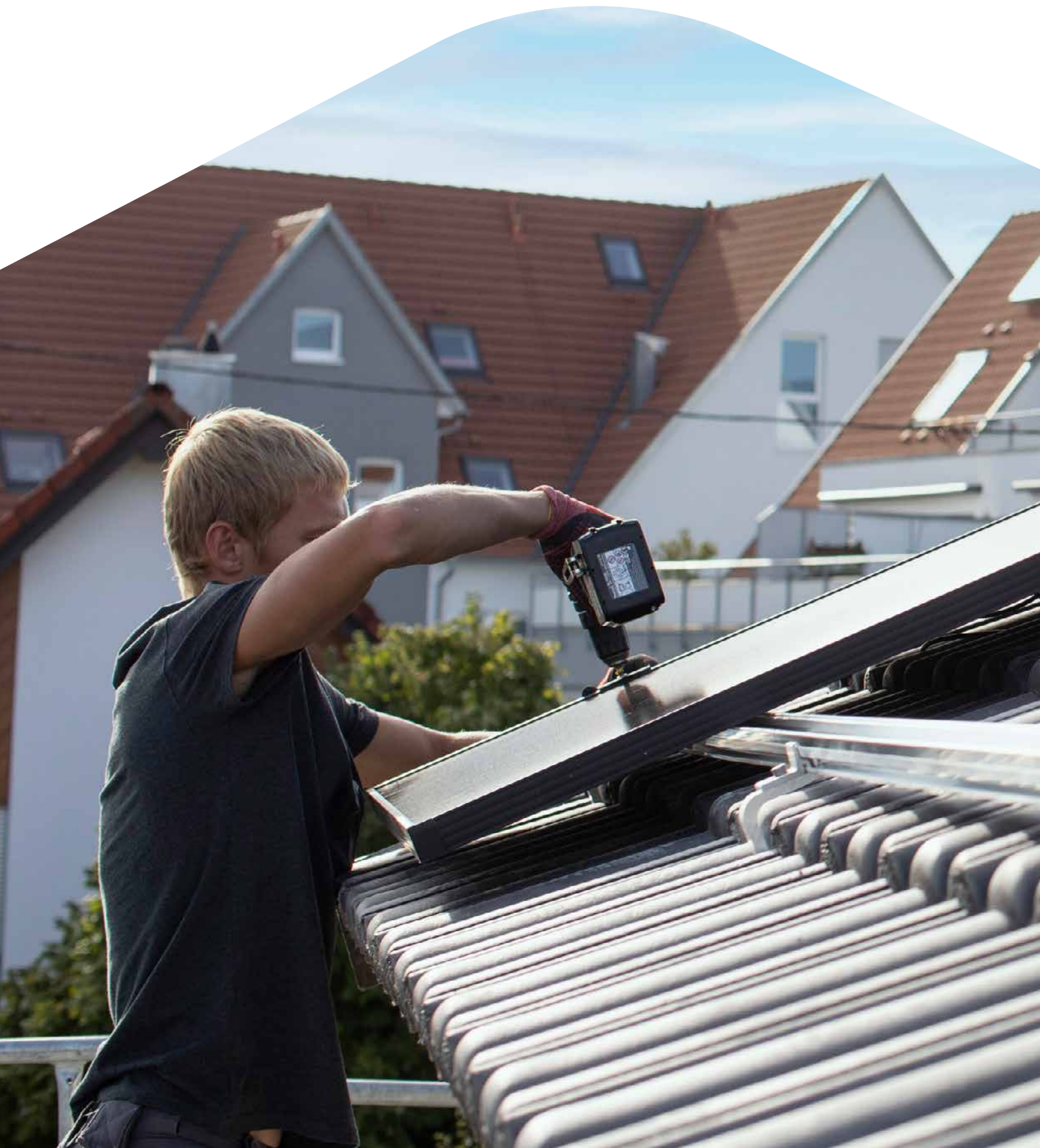
Everything at a glance -  
find the right system:

Pitched roof	Page	Pan-tile	Plain Tile	Slate	Trapezoidal sheet metal	Trapezoidal sandwich panel	Corrugated sheet metal	Corrugated fibre cement	Standing seam	Bitumen
										
K2 SingleRail System	6	●	●	○	○	○	●	●	●	●
K2 SolidRail System	7	●	●	●	●	●	●	●	●	○
K2 Insertion System	8	●	●	●	●	●	●	●	○	○
K2 MultiRail/MultiRail CSM System	9	○	○	○	●	○	●	○	○	○
K2 MiniRail System	10	○	○	○	●	○	○	○	○	○
K2 BasicRail System	11	○	○	○	●	●	○	○	○	○

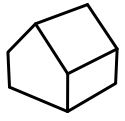
Flat roof	Page	Green roof	Gravel	Concrete	Membrane	Trapezoidal sheet metal	One-sided	Two-sided
								
K2 Dome 6 System	14	●	●	●	●	●	●	●
K2 Dome Zero System	15	●	●	●	●	○	○	○
K2 TiltUp Vento System	16	●	●	●	○	○	●	○

Ground mounted	Page
K2 A-Rack/P-Rack System	20

● Suitable    ○ Unsuitable







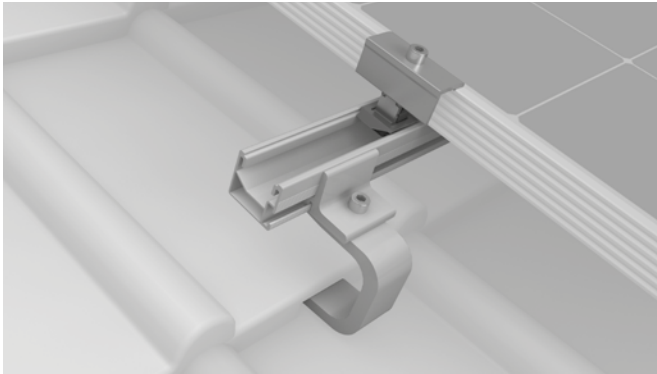
# Pitched Roof





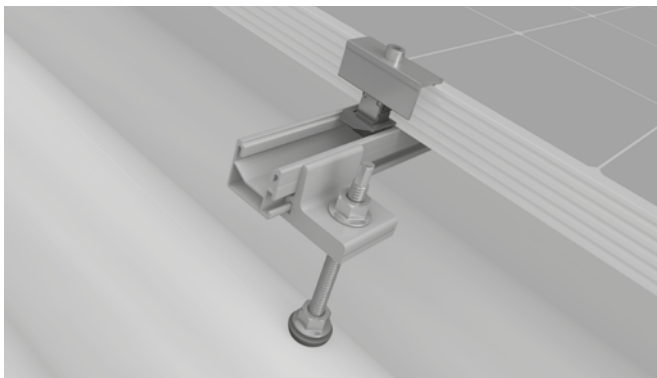
# K2 SingleRail System

Extensive range of rails suitable for various load cases and many spans. Direct lateral connection to the rail enables fast and cost-effective installation. Individual height adjustment provides additional flexibility during installation.



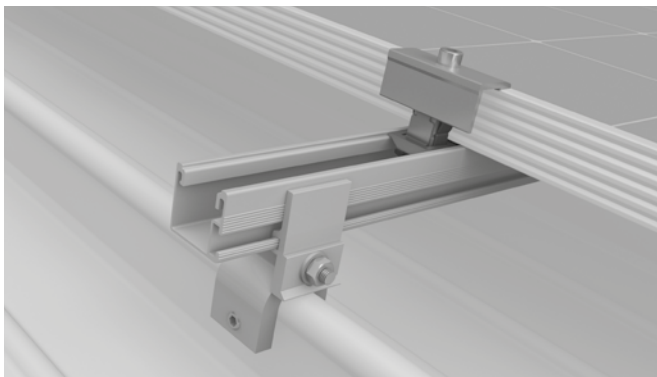
## Roof tiles and slate

- Roof hooks for the majority of clay tiles, pantiles and concrete roof tiles
- Simple height adjustment on base plate, cantilever or on slotted hole connection
- 80% of all applications can be solved with SingleHook 3S or 4S



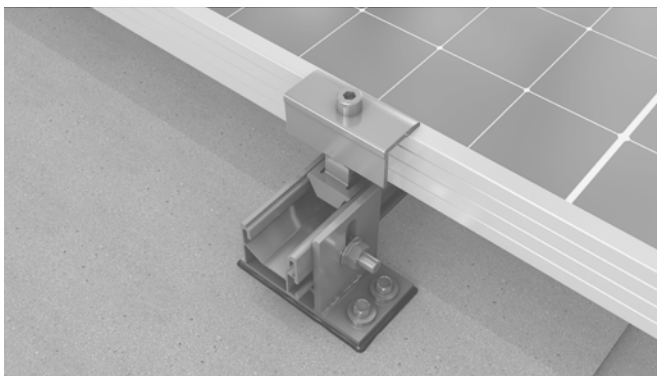
## Corrugated fibre cement and corrugated sheet metal

- For all corrugated fibre cement and corrugated sheet metal roofing with wooden substructure
- Secure sealing on the roofing
- Climber connection
- abZ (general technical approval) in Germany



## Standing seam

- Multitude of application possibilities: Double standing seam, angled seam, snap seam and round seam
- Direct lateral rail connection
- Penetration-free assembly



## Bitumen

- Mounting with the SpliceFoot
- Fastening in the rafter or in the wooden boarding
- Watertight sealing due to butyl layer pre-mounted on the component

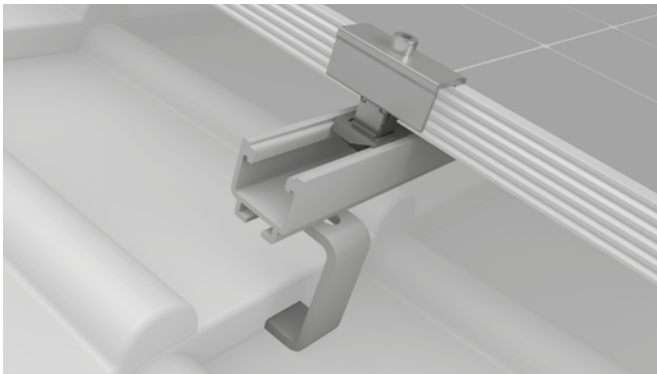


Further information,  
all technical data and  
components



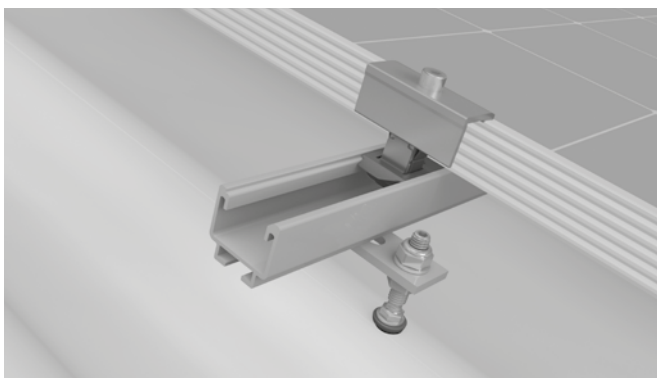
# K2 SolidRail System

Extensive range of rails suitable for various load cases and many spans. Can be easily and quickly installed on brick, corrugated sheet metal and sheet metal folds.



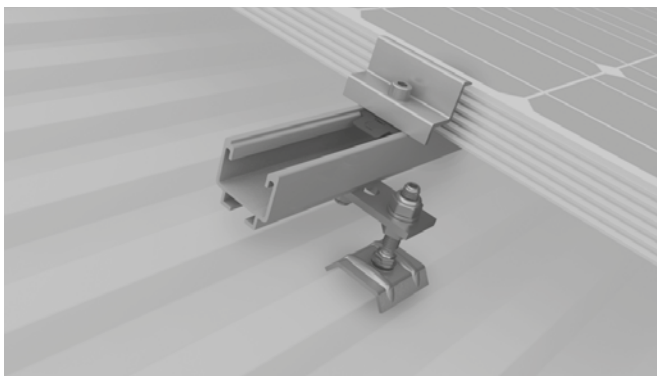
## Roof tiles and slate

- Roof hooks for the majority of clay tiles, pantiles and concrete roof tiles
- Stainless steel roof hooks for tiles with low machining possibilities
- Flexibility is ensured by the adjustable connection in order to be able to install even with narrow rafters or different heights



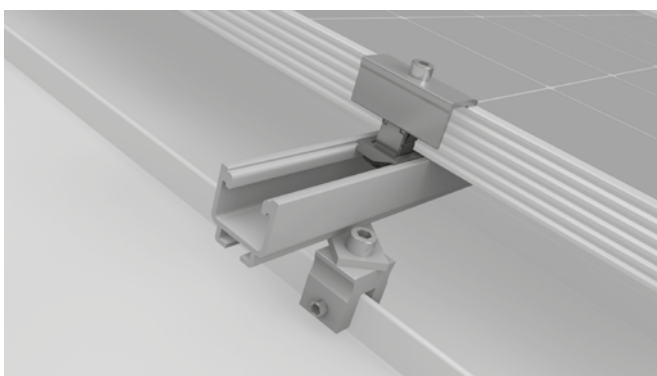
## Corrugated fibre cement and corrugated sheet metal

- For all corrugated fibre cement and corrugated sheet metal roofing with timber or steel substructure
- Secure sealing at the roofing
- abZ (general technical approval) in Germany



## Trapezoidal sheet metal

- Mounting with solar fasteners on trapezoidal sheet metal and sandwich element roofing.
- Fastening in the steel or wooden substructure
- abZ (general building approval) in Germany.



## Standing seam

- Many application possibilities: Double standing seam, angled seam, snap seam and round seam
- Penetration-free assembly



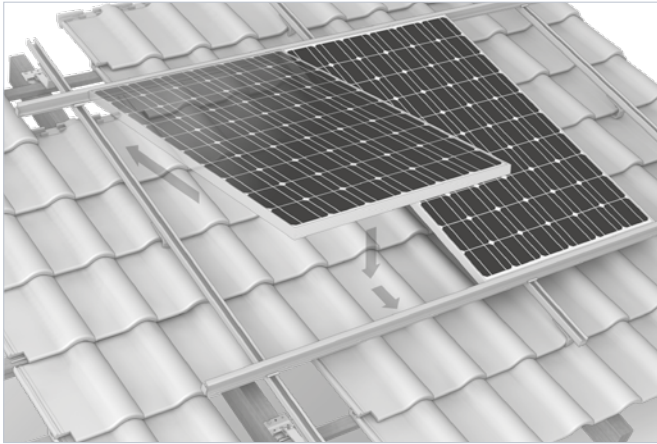
Further information,  
all technical data and  
components





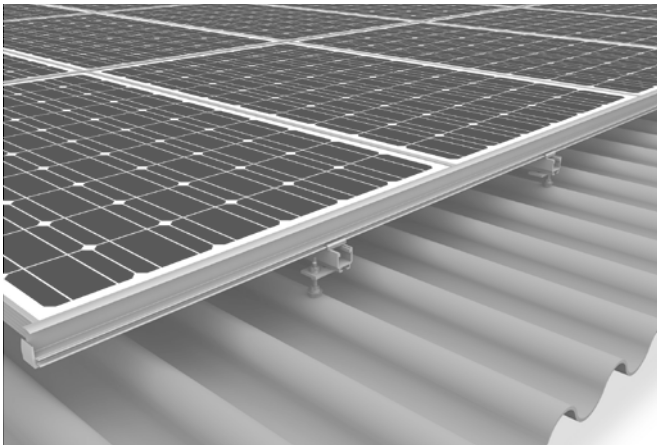
# K2 Insertion System

For a shapely overall appearance without the need for module clamps. The closed surface forms an attractive roof construction with no gaps or additional edges. Lightning-fast installation of modules due to unique rail profile without screws, module clamps or assistance.



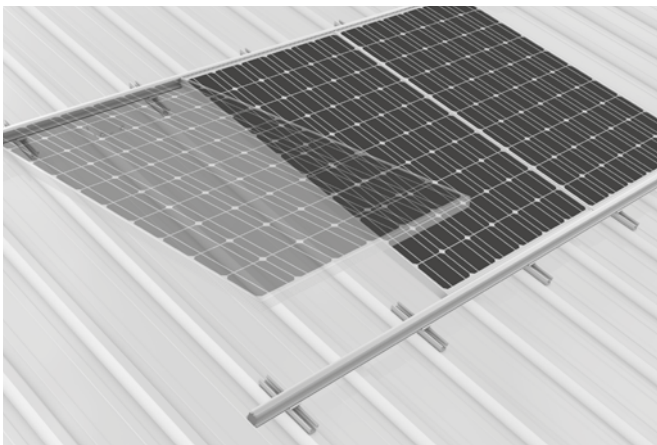
## Roof tiles and slate

- Roof hooks for majority of clay tiles, pantiles and concrete tiles as well as roofing tiles
- Simple height adjustment on base plate or bracket
- 80% of all applications can be solved with SolidHook 3S+ or 4S+ solvable



## Corrugated fibre cement and corrugated sheet metal

- For all corrugated fibre cement and corrugated sheet metal roofing with wooden substructure
- Climber connection possible
- abZ (general technical approval) in Germany
- Further connection with MultiRail CSM on corrugated sheet metal possible



## Trapezoidal sheet metal

- Connection with MultiRail mounting rail
- Simple assembly and quick planning with few components



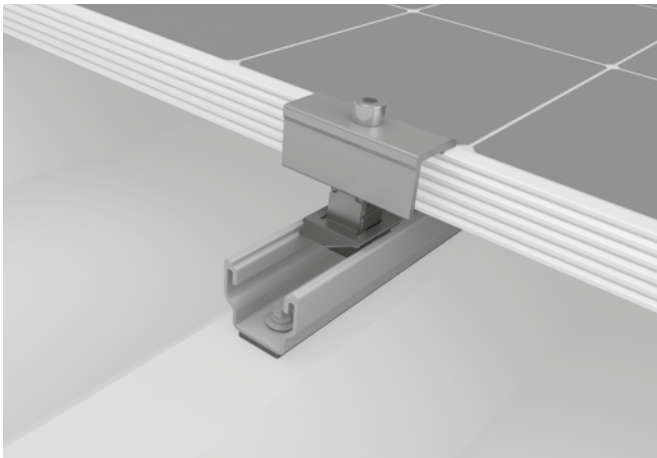
Further information,  
all technical data and  
components





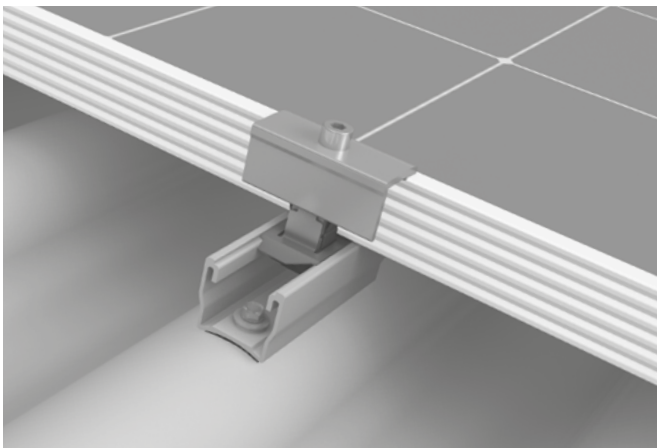
# K2 MultiRail System

Roof connection and mounting rail in one component. Quick planning with little use of materials is possible. The system can be easily installed on pitched roofs from 5 - 75° with trapezoidal sheet metal and corrugated sheet metal. No pre-drilling or time-consuming fixing in the roof substructure is necessary during installation.



## K2 MultiRail

- Mounting with only one component on trapezoidal sheet metal and sandwich elements
- Short rail available in different lengths for different applications such as high load requirements



## K2 MultiRail CSM

- Quick and easy installation on corrugated sheet metal
- Various lengths available

## System-Highlights

### With elevation for more yield

- Combination of the MultiRail and components from our flat-roof system Dome 6
- Better irradiation angle and thus higher yield

### RailUp for more profit

- Elevation results in improved ventilation of the modules and thus the possibility for higher yields
- Easy installation of micro-inverters and power optimisers

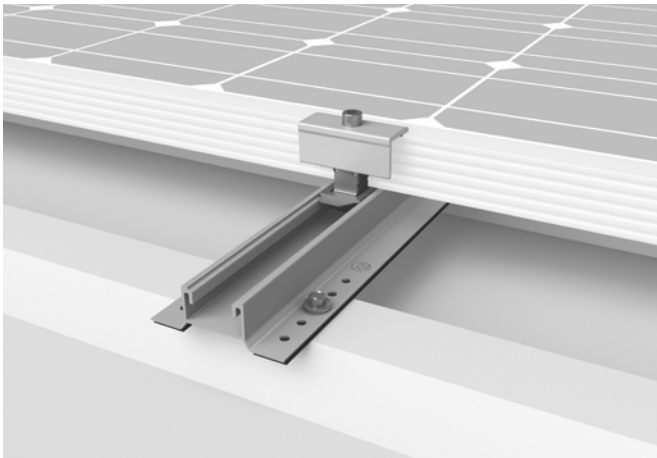


Further information,  
**all technical data and  
components**



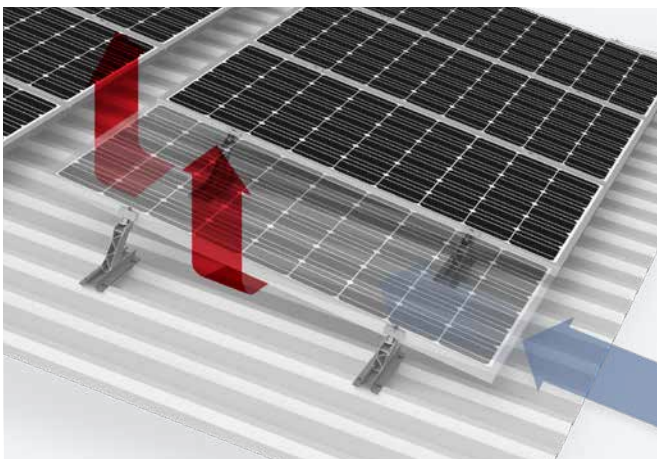
# K2 MiniRail System

The system's compact dimensions allow for small packing dimensions and low weight. This results in optimised storage and easy transport. No pre-drilling or time-consuming fixing in the roof substructure is necessary during installation.



## K2 MiniRail MK2

- Simple and fast installation due to a small range of components required
- MK2 rail channel enables mounting with the same module clamp on all pitched roof systems



## K2 MiniFive MK2

- Additional 5° inclination possible with easy to install MiniFive MK2
- Improved rear ventilation and more yield
- Optimisation of module inclination and angle of incidence

## System-Highlights

### RailUp for more yield

- Elevation results in improved ventilation of the modules and thus the possibility for higher yields
- Easy installation of micro-inverters and power optimisers

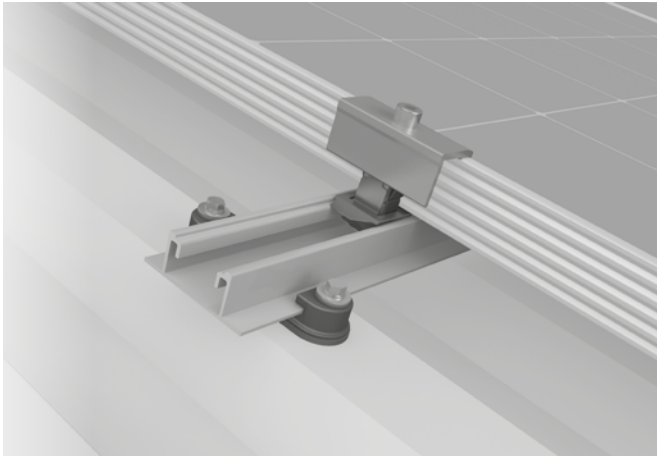


Further information,  
all technical data and  
components



# K2 BasicRail System

Only four installations steps required and suitable for high loads. Controlled thermal expansion in rail direction through the floating rail fixation of the BasicClip. The system has general building authority approval (abZ) in Germany. No pre-drilling or time-consuming fixing in the roof substructure is necessary during installation.



## Controlled linear expansion

- The floating rail fixation of the BasicClip results in a controlled thermal expansion of the rail.
- No transfer of forces to the roof cladding

## System-Highlights

### Landscape mounting option

- Landscape mounting is possible with the K2 AddOn
- Seamless module blocks without additional rail layer

### RailUp for more yield

- Elevation results in improved ventilation of the modules and thus the possibility for higher yields
- Easy installation of micro-inverters and power optimisers

### Mounting on sandwich panels

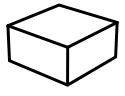
- BasicRail System suitable for sandwich roofs
- abZ (general building authority approval) for FischerTHERM sandwich elements
- High installation speed of the BasicRail system and direct fastening in the sandwich elements



Further information,  
all technical data and  
components







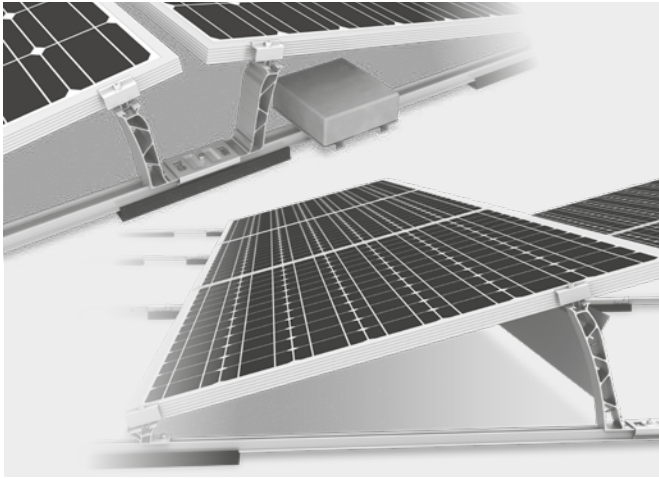
# Flat Roof





# K2 Dome 6 System

Suitable for the majority of flat roof coverings. Due to the Mat S, installation can be significantly ballast-optimised. A secure anchoring with fixed connection can be carried out on roofs with more than 3° or low load reserves. With an elevation of 15° (exclusively with the S-dome variant), a better angle of incidence can be created.



## K2 Dome 6 Xpress

- Super-fast assembly in just a few steps
- Time-saving alignment of the rails with Dome Speed Spacer
- Snap-in function for peaks and tool-free rail connectors



## K2 Dome 6 Classic

- For mounting standard size PV modules and flexible row spacing
- Mounting with many obstacles for full utilisation of the roof area



## K2 Dome 6 Classic LS

- Suitable for higher wind/snow loads and for larger modules up to 2390 × 1170 mm.
- Mounting on the long side of the module

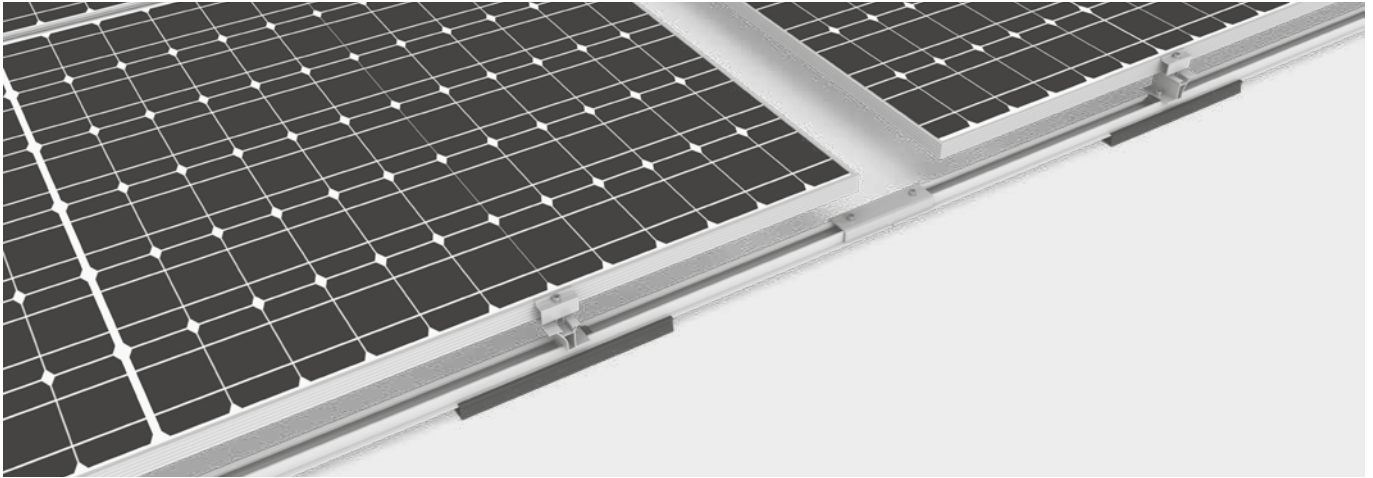


Further information,  
all technical data and  
components



# K2 Dome Zero System

For roof-parallel mounting using many of the Dome 6 components. A secure anchorage with fixed connection can be made for roofs with more than 3° and low load reserves.



## System-Highlights

### Roof pitch up to 10°

- Dome FixPro S fixed connection enables use on roofs with a pitch of up to 10°.

### Few components

- Few components due to proven K2 modular system
- For the elevation a 0° peak is used

### Less ballast

- Due to the Mat S and the fixed connection, the necessary ballast remains low
- Enables use on roofs with low load reserves



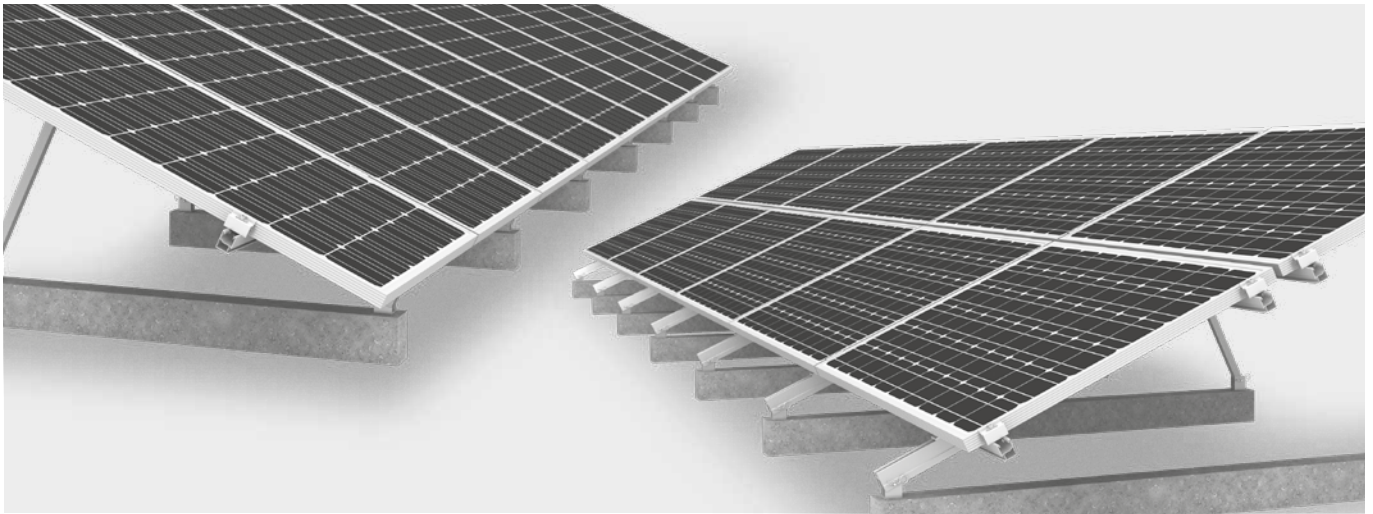
Further information,  
all technical data and  
components





# K2 TiltUp Vento System

Many different module arrangements as well as 3 different inclination angles (20°, 25°, 30°) are possible. Due to the flexible connection via ballasting with concrete foundation or as direct connection with concrete anchors, it can be mounted on many roofs.



## System-Highlights

### Different roof connections

- Ballasted with concrete foundation
- Direct connection with concrete anchors possible

### 3 different inclination angles

- All module arrangements available in 3 inclination angles: 20°, 25° and 30°
- Component connections are the same throughout

### Different module designs

- Portrait/landscape mounting possible with the same components
- Clamping on the short or long module side

### Few components

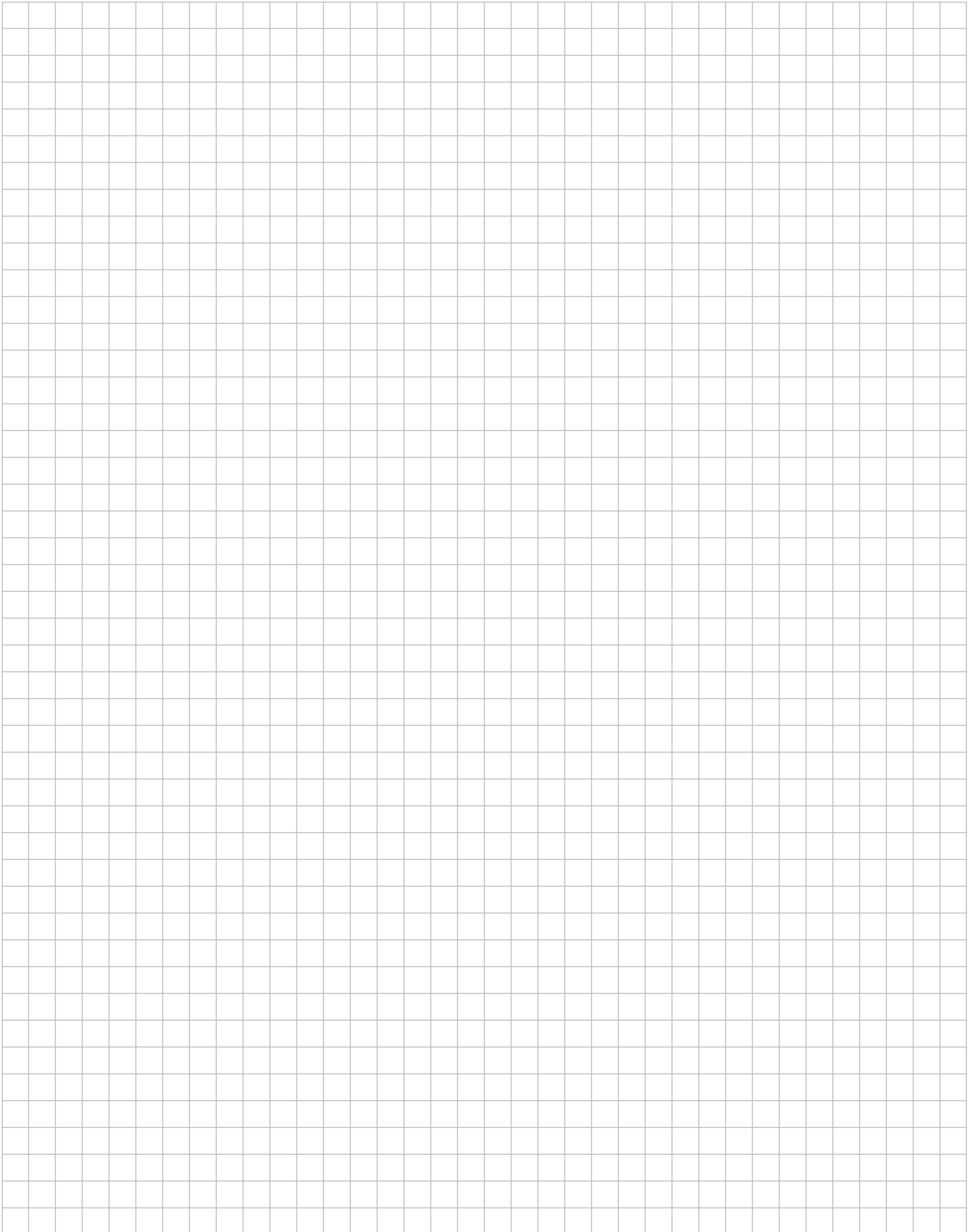
- Sophisticated system with well thought-out connections with few components
- Enabling systemic storage



Further information,  
all technical data and  
components

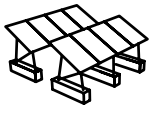


# Notes

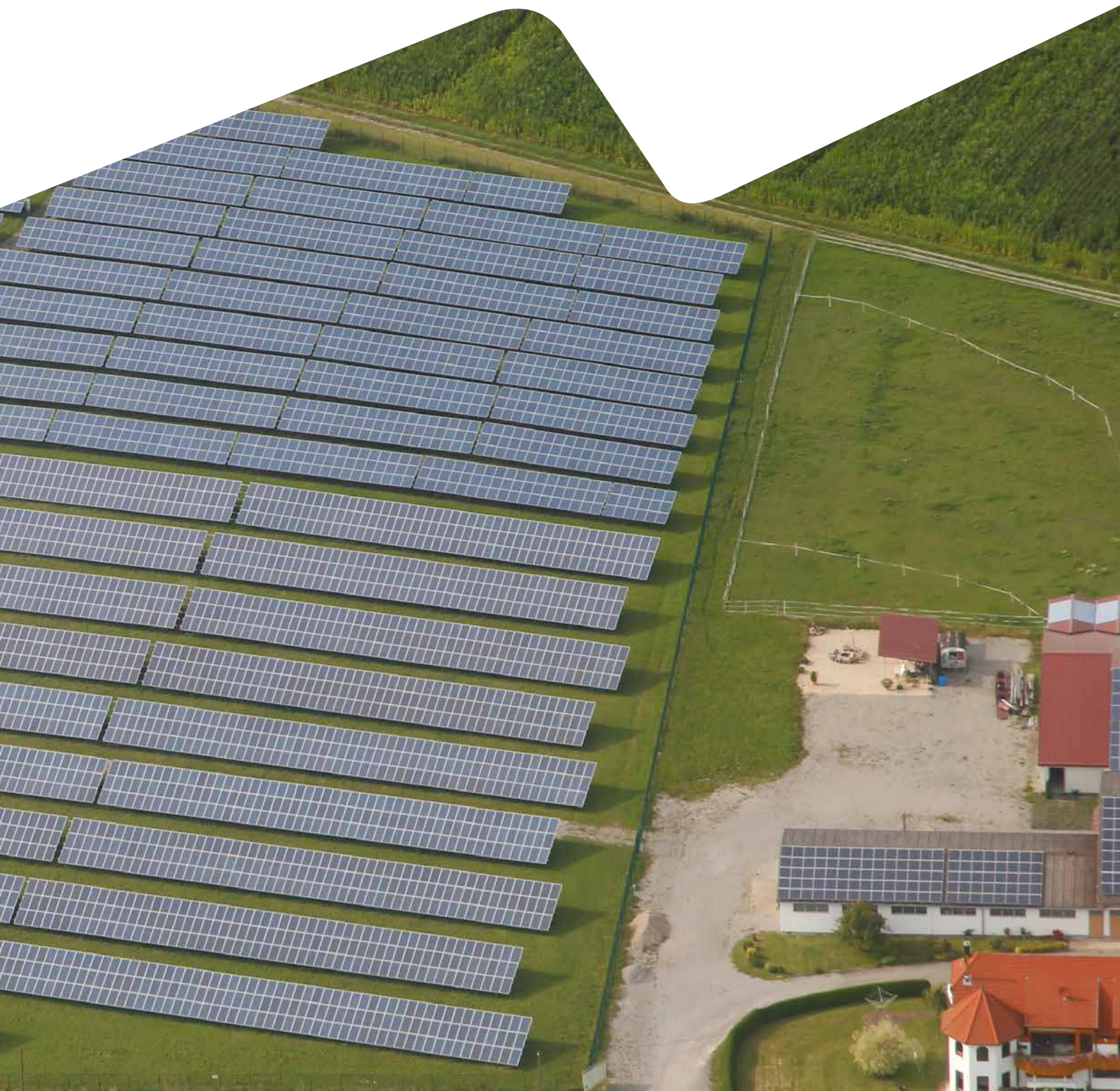








# Ground mounted

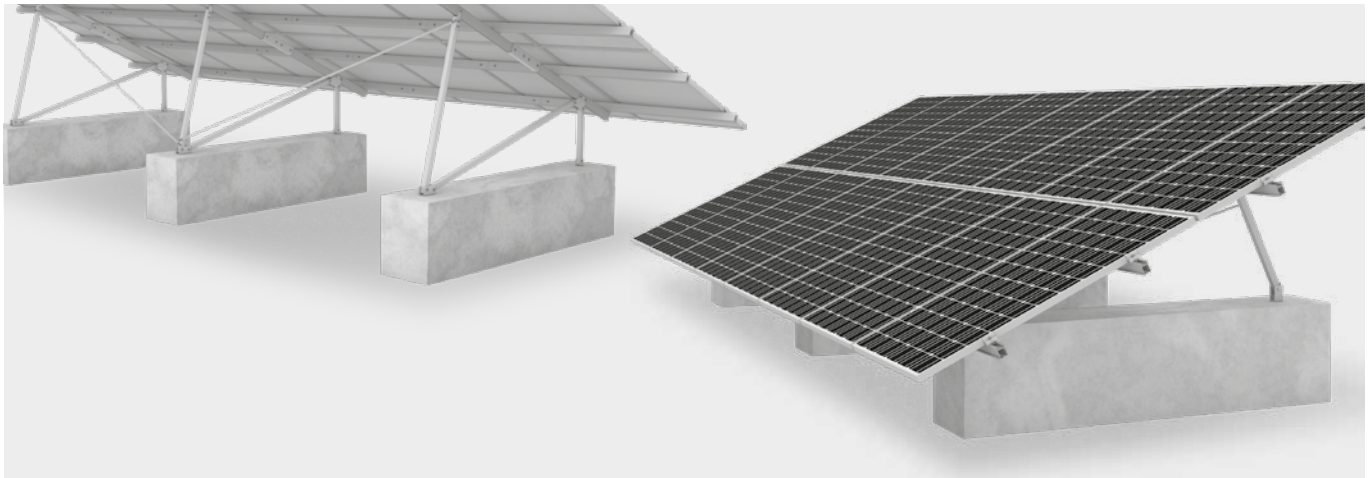




# K2 A-Rack/P-Rack System

Solution for small ground-mounted projects and off-grid systems.

Pre-assembled components for 15°, 20° or 25° Inclination.



## System-Highlights

### Universal use

- Suitable for almost all floors
- No planning necessary  
(Assembly packages for 14 - 16 modules)

### Easy transport

- Packed as pallet goods and transport on pick-up vehicles possible (max. rail length 1.9 m)

### Different Inclination

- Flexible use by sawing the support struts to size
- Inclination of 15°, 20° or 25° possible -  
with only one set

### P-Rack: with raised elevation

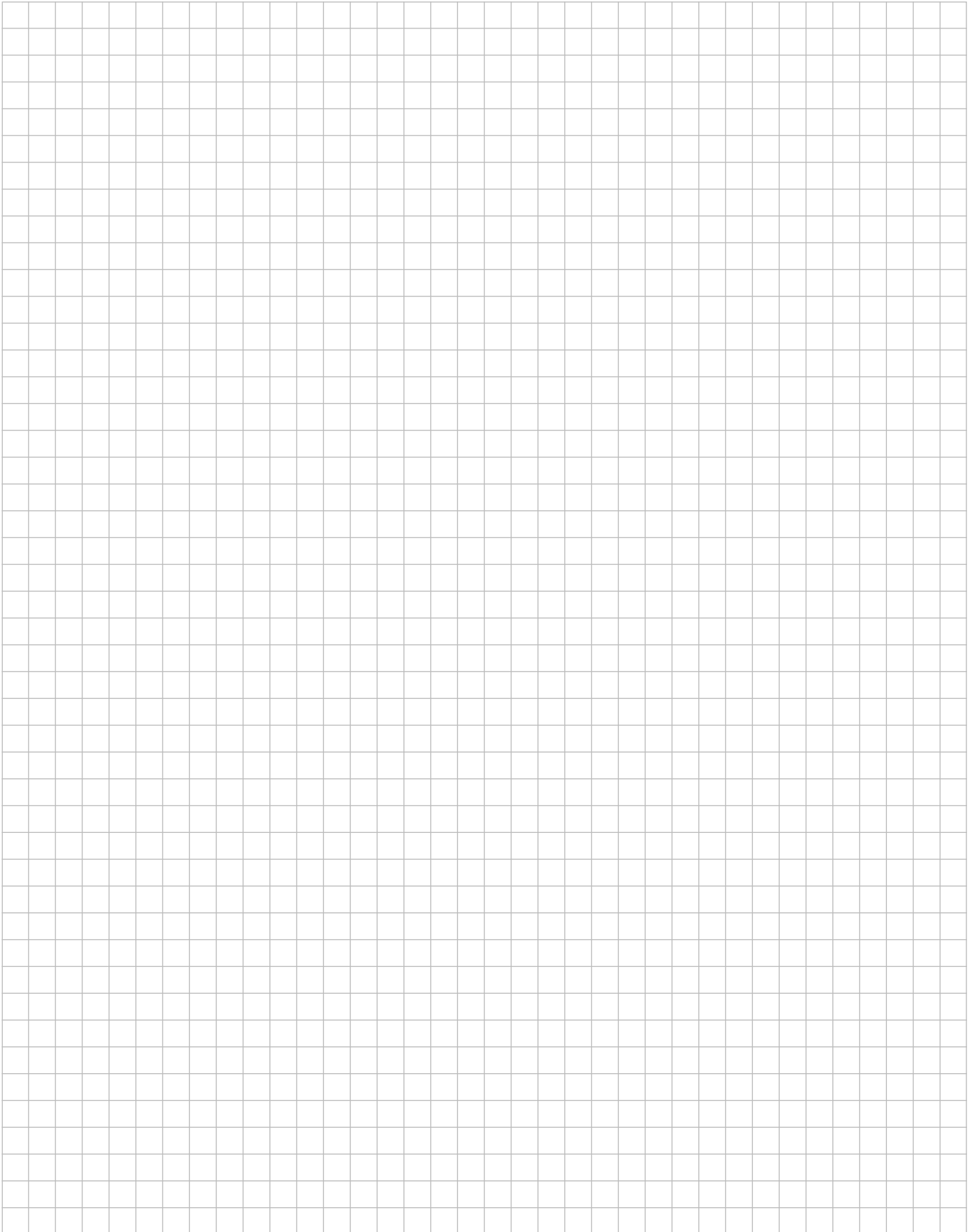
- Splash water protection of the modules
- Higher incidence of light on the substrate



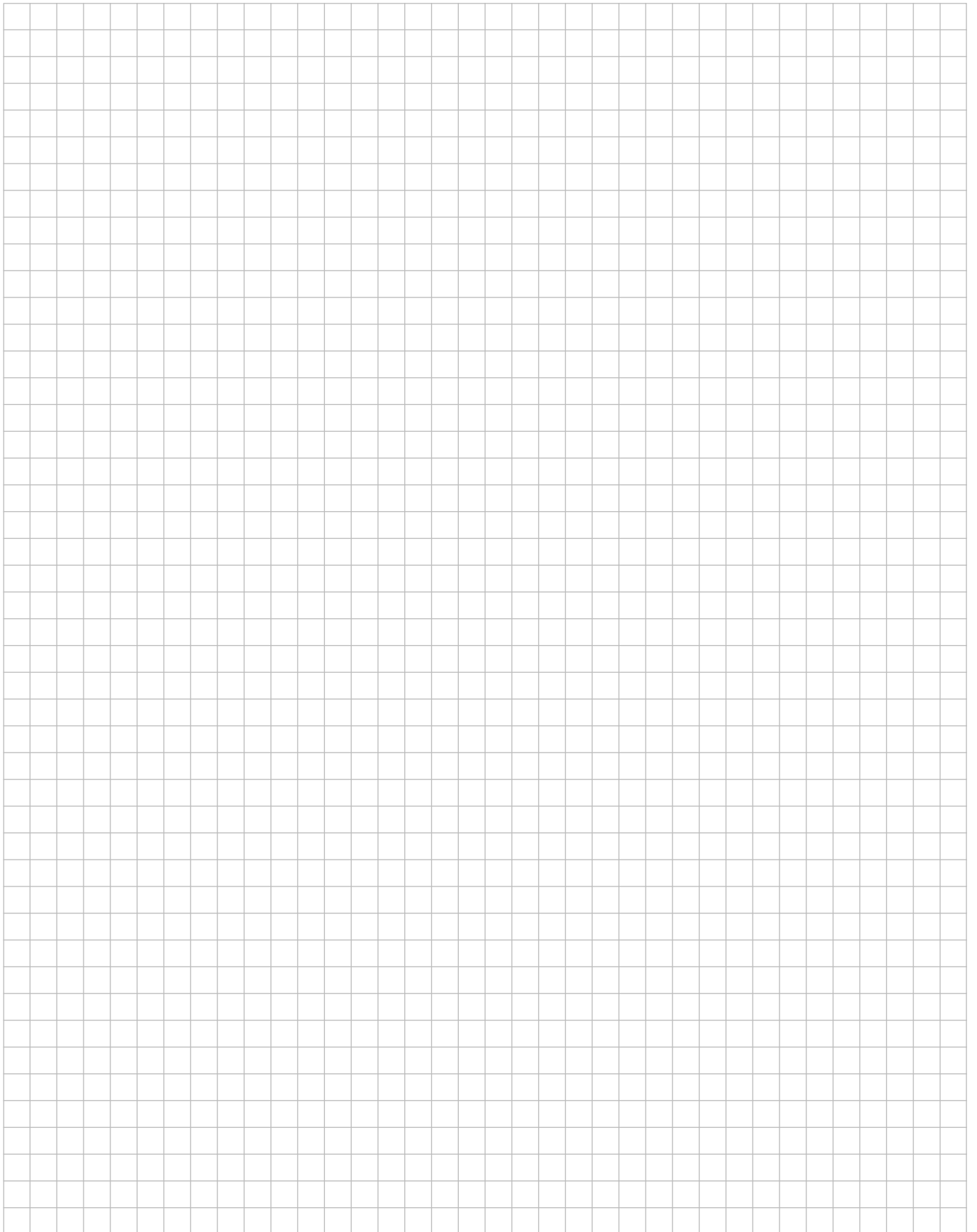
Further information,  
all technical data and  
components

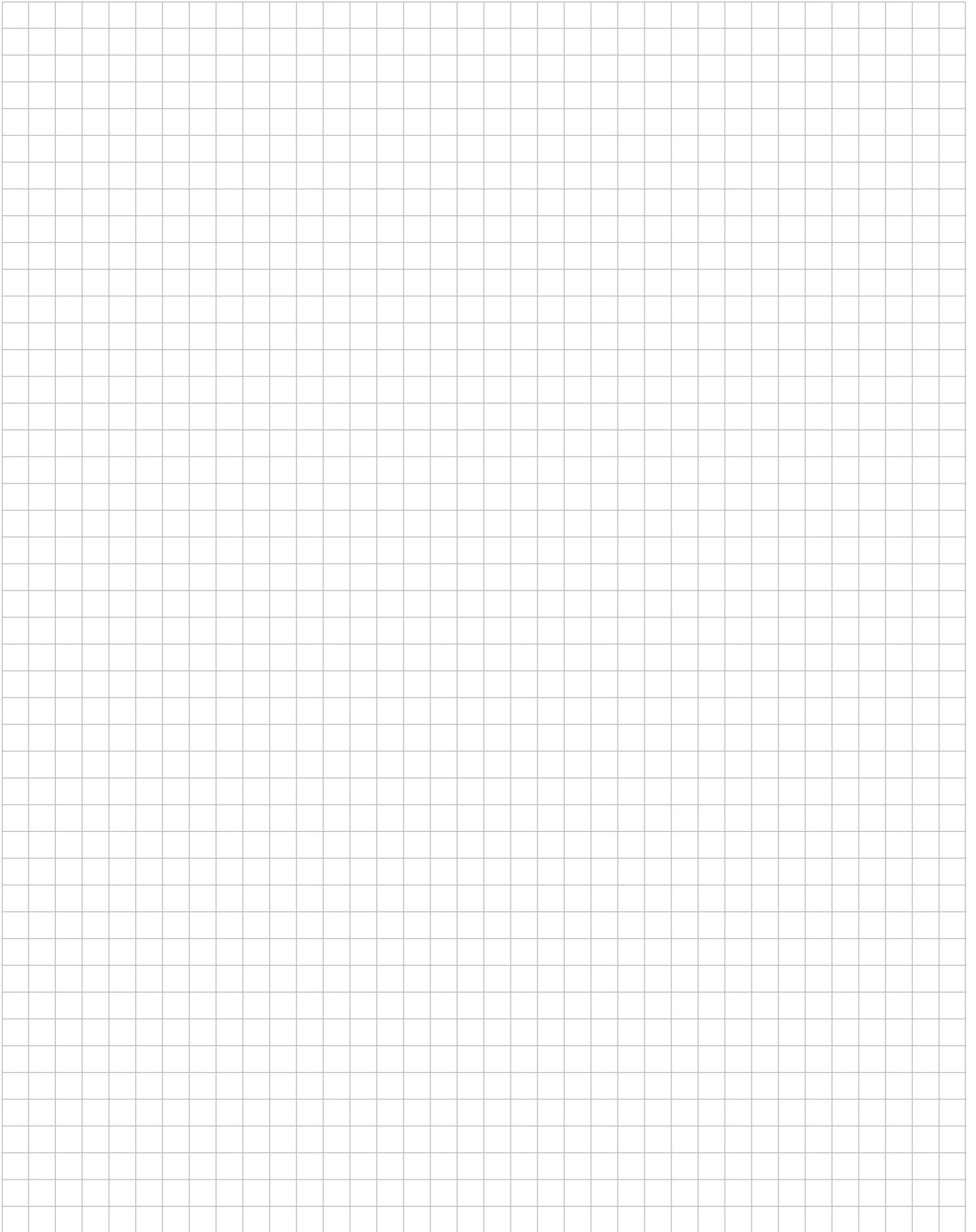


# Notes



# Notes

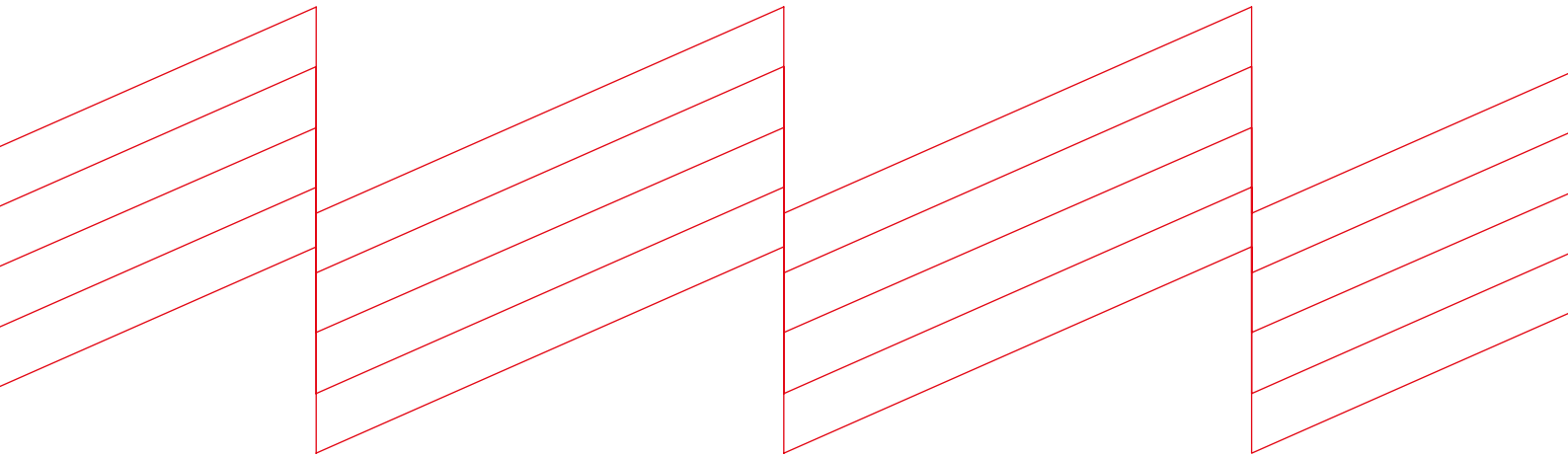








**k2-systems.com**



**K2 Systems GmbH**

Industriestraße 18 · 71272 Renningen · Germany  
+49 (0) 7159 - 42059 - 0 · info@k2-systems.com

Product Brochure EN V1 | 0423 · Subject to change  
Product illustrations are exemplary and may differ from the original.