

# nino®

## Furniture created with children in mind

[www.nino-wood.com](http://www.nino-wood.com)

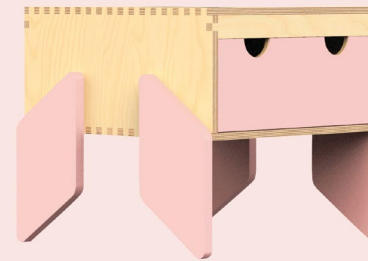
INNOVATION | MODULARITY | EXCEPTIONAL DESIGN



# nino means a child

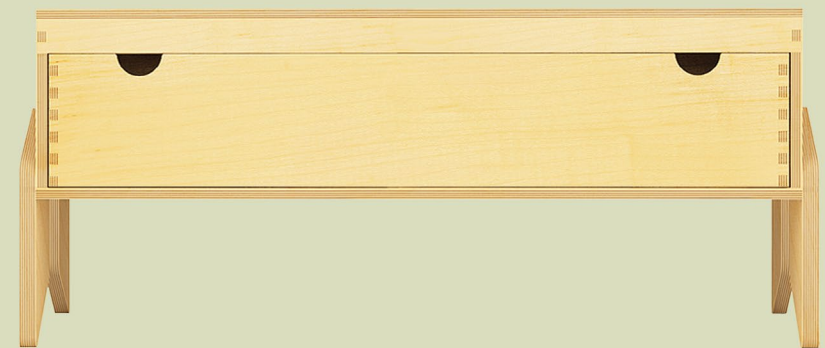
It is the child who is the most important in our designs. Thinking about its needs specifically, we have created a line of modular furniture made of plywood.

[www.nino-wood.com](http://www.nino-wood.com)



Why is the nino furniture so exceptional?

Here every model has been designed to allow creation of sets with other elements. This gives a lot of creative possibilities of combining various components. The furniture adapts its form to the current needs of its user. As a result, your child's room will follow its development.





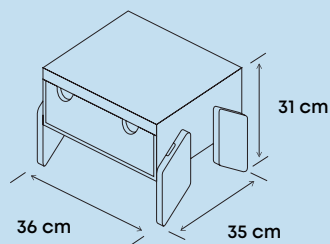


# Get to know the nino modular furniture

## nino 1

The smallest model from the nino family. Thanks to its compact size, it can serve as a bedside table or a seat.

WIDTH	HEIGHT	DEPTH
36 cm	31 cm	35 cm

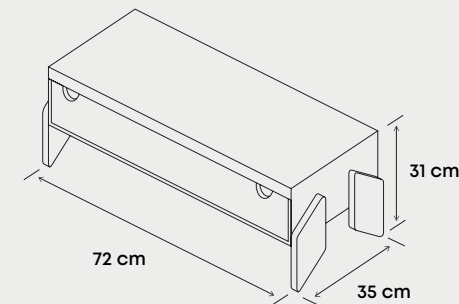
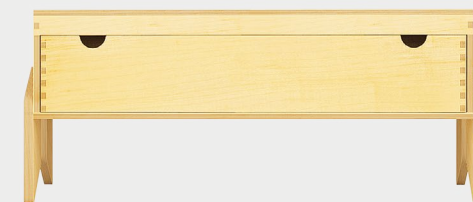


## nino 2

A double-width module. It makes a functional chest of drawers when set with nino 1 or nino 1+ model.

WIDTH	HEIGHT	DEPTH
72 cm	31 cm	35 cm

Every element is a whole piece of furniture and, at the same time, it can be combined into neat sets with other pieces. The nino family means multifunctionality, playing with form and colours as well as creativity.

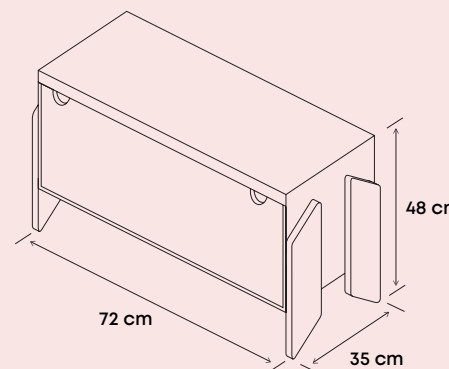
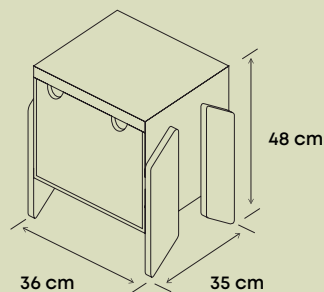


## nino 1+

The basic version of the furniture with increased capacity.

A large drawer will surely hold the largest of your child's treasures.

WIDTH	HEIGHT	DEPTH
36 cm	48 cm	35 cm



## nino 2+

Our largest and most capacious module. It combines the strengths of nino 1+ and nino 2 with a light and simple design.

WIDTH	HEIGHT	DEPTH
72 cm	48 cm	35 cm







# Create your child's dream room with nino



FSC-certified high-quality plywood



Multifunctional modules



Modern design

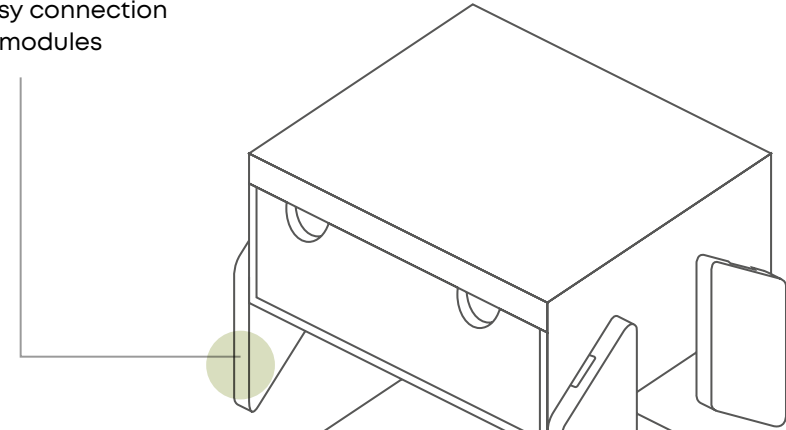


Light and durable materials

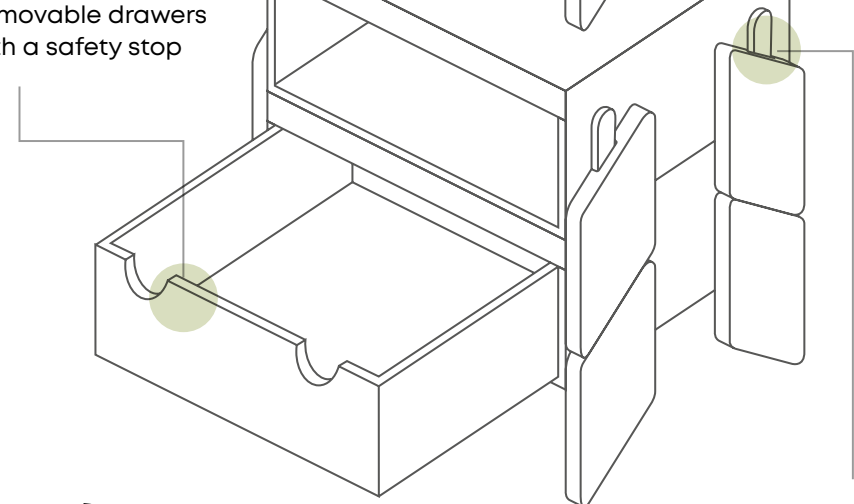


We manufacture the nino furniture with certified materials only. This guarantees safety for its users and care for the natural environment.

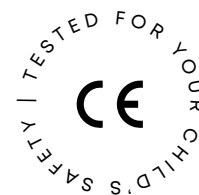
Easy connection of modules



Removable drawers with a safety stop



Safety lock

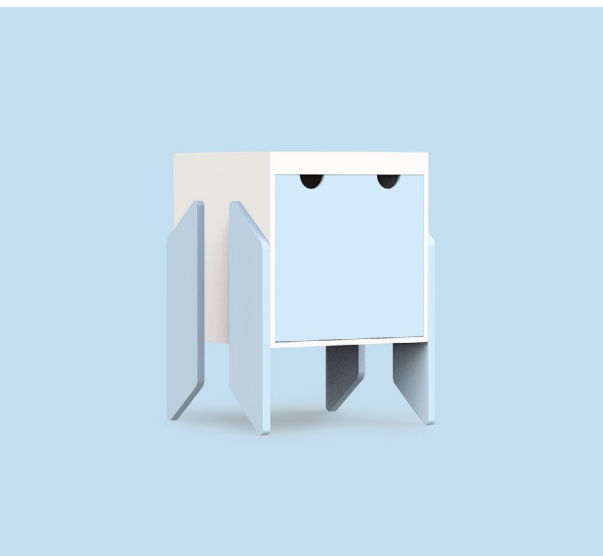


See how nino works





# Play with colour, form and function



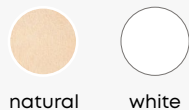
You can combine our modules freely and choose their colours individually.

The body available in two colours, natural plywood or white, is always the base. Drawer fronts and legs come in fashionable hues.

So, it is you who decides on the final look of your furniture!

## Nino colours:

### Body colours:

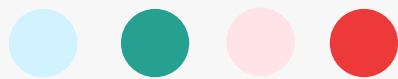


natural white

### Front and leg colours:



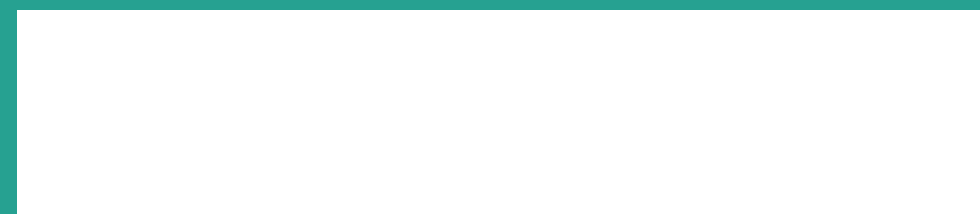
natural white mint grey



light blue turquoise pink red



[www.nino-wood.com](http://www.nino-wood.com)



**nino**<sup>®</sup>

Manufacturer:

Krespa Sp. z o.o.  
11 Listopada 53  
38-300 Gorlice, Poland

+48 882 554 945  
+48 18 353 63 81  
office@krespa.pl





nino®

[www.nino-wood.com](http://www.nino-wood.com)