



RFM Series

Roof folding mast systems

Teklite's roof folding mast "RFM" is an easy to use lightweight system to fit on the roof of cars, SUV's, vans and fire fighting vehicles.

The Teklite RFM Series is perfectly suited for various lighting, antenna and camera applications.



MOBILE LIGHTING SYSTEMS

Mast specifications

Technical details

1 Top flange to fit various headloads. Custom made adaptors available on request.

2 Light weight natural clear anodised aluminium construction


3 Custom internal cable can be installed, various cables available

4 Cable remote control (5 metres cable)

5 Control unit to be built-in inside the vehicle



Features

- Electric system powered from the 24 volt vehicle battery and controlled by cable remote control.
- For 12 volt vehicles a converter can be supplied.
- When the operation is over, a simple push of the button “” completely retracts the roof folding mast. This cycle may also be automatically started by the release of the vehicle handbrake.
- Full extension speed : 20 seconds (depending on the headload)
- Operating temperature : -30°C to +60°C
- Safety LED Up-Light available on request.

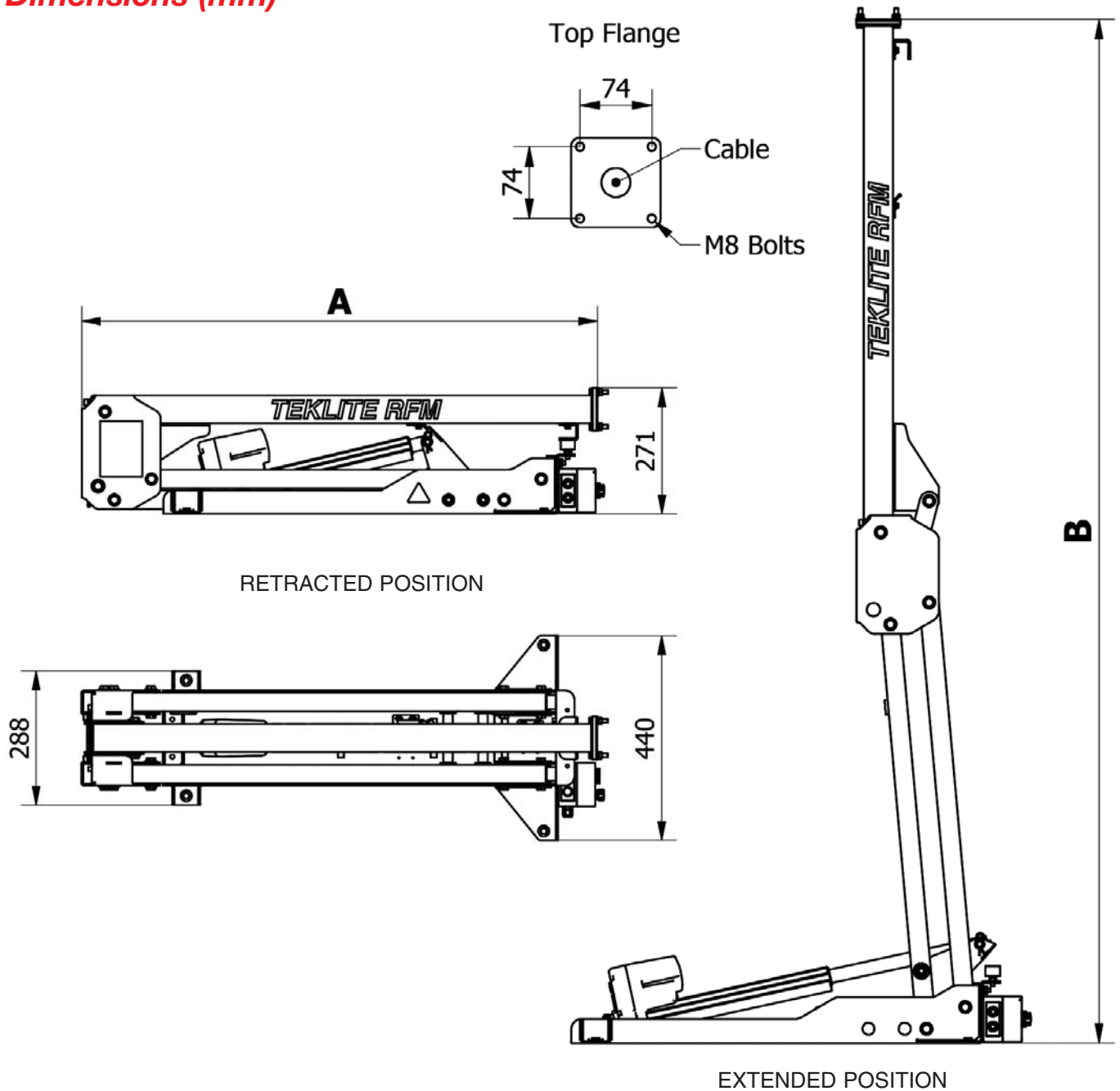
Cable Remote Control functions

- Extend the mast robot
- Stop/Hold
- Automatic return to the retracted position



6 Power supply cable (5 metres) with numbered wires for connection

Dimensions (mm)



Mast models

RFM 2.1 Models

| Cat. No. | Description | Max. headload (120 km/h) Weight / Wind Surface | Total weight |
|----------|--------------------------------|---|--------------|
| 53552 | RFM 2.1 - 24V | 40 kg / 0,40 m ² | 26,4 kg |
| 53553 | RFM 2.1 - 24V Deadman Function | 40 kg / 0,40 m ² | 26,4 kg |

Dimensions : (A = 1110 mm; B = 2120 mm)

RFM 2.8 Models

| Cat. No. | Description | Max. headload (120 km/h) Weight / Wind Surface | Total weight |
|----------|--------------------------------|---|--------------|
| 53554 | RFM 2.8 - 24V | 30 kg / 0,30 m ² | 29,4 kg |
| 53555 | RFM 2.8 - 24V Deadman Function | 30 kg / 0,30 m ² | 29,4 kg |

Dimensions : (A = 1460 mm; B = 2820 mm)

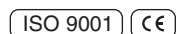


All details given in this publication are approximate and may be subject to change without notice.

Distributor :

TEKSAM COMPANY NV, Woudstraat 21, 3600 Genk, Belgium
Tel : +32 (0)89 38 44 72 Fax : +32 (0)89 38 61 41 E-mail : info@teksamco.com Website : www.teklite.com

TEKLITE is a division of Teksam Company NV



PP 9015/E NV MM 02/02/23

MOBILE LIGHTING SYSTEMS