

Quality and experience  
since 1994

# MCMS

Warka Sp. z o.o.

**MANUFACTURER OF AGRICULTURAL TRAILERS  
AND HORTICULTURAL EQUIPMENT**



ul. Gośniewska 160  
05-660 Warka  
+48 48 667 43 58  
+48 48 667 21 66  
mcms@mcms.pl



/MCMS.Warka/



/WarkaMCMS



mcms.warka.pl

# AGRICULTURAL TRAILERS

**M**CMS Warka agricultural trailer line is designed mainly for agriculture, but it is also used in many other industries when transporting various types of goods. The robust construction and the highest quality components guarantee long and trouble-free operation even in the toughest conditions.

Our range of trailers consists of nearly twenty different versions and variants. Their universal dimensions allow for optimal use of the load area during the transport of pallet boxes.

Each trailer is optionally equipped with different types of tires, including road tires that allow you to easily overcome long distances. At the customer's request, the trailer is fitted with pneumatic or hydraulic brakes and media for connecting another trailer.

The range of MCMS Warka trailers includes models on a two-axle, single-axle and tandem suspension, with a payload capacity from 3 to 12 tonnes. Depending on the version, they are equipped with side boards of various heights and platforms with a reduced height, which make loading and transporting of crates, bales and other goods much easier. Unloading of loose goods is facilitated by a two- or three-way system of tipping

the load box, a chute and swinging opening of the sides.

The extraordinary stiffness and corrosion resistance is guaranteed by the frame made of closed rectangular steel profiles of high strength (S355). The side walls are made of deeply pressed sheet metal up to 3 mm thick or closed profiles 2 mm thick, and the floor of the load box is made of 4 mm steel sheet densely supported by brackets. Most of the interchangeable components such as side locks, valves, bolts, axles, etc. are universal elements, which guarantees their availability throughout the country.

In addition, our company offers customization of the trailer to individual user needs and a wide range of additional equipment.

The quality of our products and excellent user parameters are guaranteed by many years of experience of MCMS Warka acquired during the production of machinery, equipment and execution of complex orders. Our activity includes a dealer and service network on both the entire country and neighboring countries. We provide professional warranty and post-warranty service.

## TABLE OF TRAILERS



**PT3653N**

TANDEM AXLES  
TRAILER page 4



**PT7120P**

TANDEM AXLES  
TRAILER page 12



**PJ4453N**

ONE AXLE  
TRAILER page 18



**PT4103N**

TANDEM AXLES  
TRAILER page 6



**PT5650S**

TANDEM AXLES  
TRAILER page 13



**PJ4553S**

ONE AXLE TRAILER  
page 20



**PT4123N**

TANDEM AXLES  
TRAILER page 8



**PJ33ECO**

ONE AXLE TRAILER  
page 14



**PD4753S**

TWO AXLES TRAILER  
page 22



**PT5123N**

TANDEM AXLES  
TRAILER page 10



**PJ33S3S**

**PJ3303S**  
ONE AXLE TRAILER  
page 16



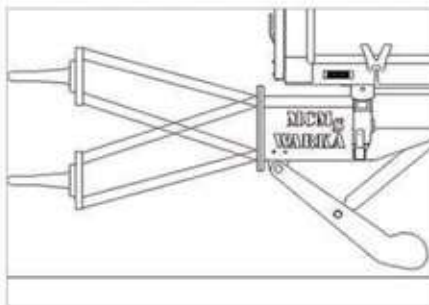
**PD5722S**

TWO AXLES TRAILER  
page 24

# ON WHAT SHOULD YOU PAY ATTENTION



■ Solid frame made entirely of reinforced closed profiles (S355) without constrictions provides a long-term guarantee of durability



■ 180 degrees 4 mm thick floor allows you to get a wide range of drawbar eye height



■ Selected models of trailers factory equipped with a hydraulic support leg



■ Set of chocks block wheels in standard equipment



■ Pneumatic or hydraulic brake system to choose in the basic price



■ Foldable rear bumper on selected models



■ Full LED lighting in the basic price



■ In selected models, the rear axle wheel mudguards in the basic equipment



■ Upper and lower opening of the box walls in the basic price



■ Holder for hydraulic hoses as standard

# PT3653N TANDEM AXLES TRAILER

Capacity to **6,5 t**



Technical data - PT3653N		
Dimension of the loading box	m	3,7 x 2,1 x 0,5
Dimensions	m	5,1 x 2,3 x 1,5
Capacity	kg	6500
Permissible total weight	kg	9000
Weight	kg	2500
Drawbar eye load	kg	1000
Size of the tires		340 / 55-16
Volume	m <sup>3</sup>	3,9 / 7,8 / 11,7
Loading area	m <sup>2</sup>	7,8

## STANDARD EQUIPMENT:

- three side tipping
- hydraulic supported leg
- central opening of the box walls
- 4 mm thick floor
- two line pneumatic braking system
- brake system connection cable
- chocks for blocking wheels
- mounting for slow-moving vehicle sign
- LED lighting

## OPTIONAL EQUIPMENT:

- additional level of walls (50 cm)
- one circuit hydraulic or air brake system
- rack for tilt
- tilt
- additional sealing of the walls in walls made of open profiles
- clips to bind boards with walls made of open profiles
- side walls springs with walls made of closed profiles
- spare wheel holder
- pouring for cereal
- covers for lights
- clamps to aggregate second trailer
- slow-moving vehicle sign
- manual non-road rear hitch
- manual road rear hitch
- automatic road rear hitch
- pump for hydraulic leg
- pallet extensions
- platform for tilt rolling



PT3653N

# PT4103N TANDEM AXLES TRAILER

Capacity to **10 t**



## Technical data - PT4103N

Dimension of the loading box	m	4,2 x 2,1 x 0,5
Dimensions	m	5,6 x 2,3 x 1,5
Capacity	kg	10000
Permissible total weight	kg	13000
Weight	kg	3000
Drawbar eye load	kg	1500
Size of the tires		400 / 55-15,5
Volume	m <sup>3</sup>	4,4 / 8,8 / 13,2
Loading area	m <sup>2</sup>	8,8

### STANDARD EQUIPMENT:

- three side tipping
- hydraulic supported leg
- central opening of the box walls
- rotated drawbar
- two line pneumatic braking system
- brake system connection cable
- chocks for blocking wheels
- mounting for slow-moving vehicle sign
- LED lighting

### OPTIONAL EQUIPMENT:

- additional level of walls (50 cm)
- one circuit hydraulic or air brake system
- rack for tilt
- tilt
- additional sealing of the walls in walls made of open profiles
- clips to bind boards with walls made of open profiles
- side walls springs with walls made of closed profiles
- spare wheel holder
- pouring for cereal
- covers for lights
- clamps to aggregate second trailer
- slow-moving vehicle sign
- manual non-road rear hitch
- manual road rear hitch
- automatic road rear hitch
- pump for hydraulic leg
- pallet extensions
- platform for tilt rolling



PT4103N

# PT4123N TANDEM AXLES TRAILER

Capacity to **12 t**



## Technical data – PT4123N

Dimension of the loading box	m	4,5 x 2,4 x 0,5
Dimensions	m	6,3 x 2,5 x 1,6
Capacity	kg	12000
Permissible total weight	kg	16000
Weight	kg	4000
Drawbar eye load	kg	2240
Size of the tires		520 / 50-17
Volume	m <sup>3</sup>	5,4 / 10,8 / 16,2
Loading area	m <sup>2</sup>	10,8

### STANDARD EQUIPMENT:

- three side tipping
- hydraulic supported leg
- central opening of the box walls
- rotated drawbar
- two line pneumatic braking system
- brake system connection cable
- chocks for blocking wheels
- mounting for slow-moving vehicle sign
- LED lighting

### OPTIONAL EQUIPMENT:

- additional level of walls (50 cm)
- one circuit hydraulic or air brake system
- rack for tilt
- tilt
- additional sealing of the walls in walls made of open profiles
- clips to bind boards with walls made of open profiles
- side walls springs with walls made of closed profiles
- spare wheel holder
- pouring for cereal
- covers for lights
- clamps to aggregate second trailer
- slow-moving vehicle sign
- manual non-road rear hitch
- manual road rear hitch
- automatic road rear hitch
- pump for hydraulic leg
- pallet extensions
- platform for tilt rolling





# PT4123N

# PT5123N TANDEM AXLES TRAILER

Capacity to **12 t**



## Technical data – PT5123N

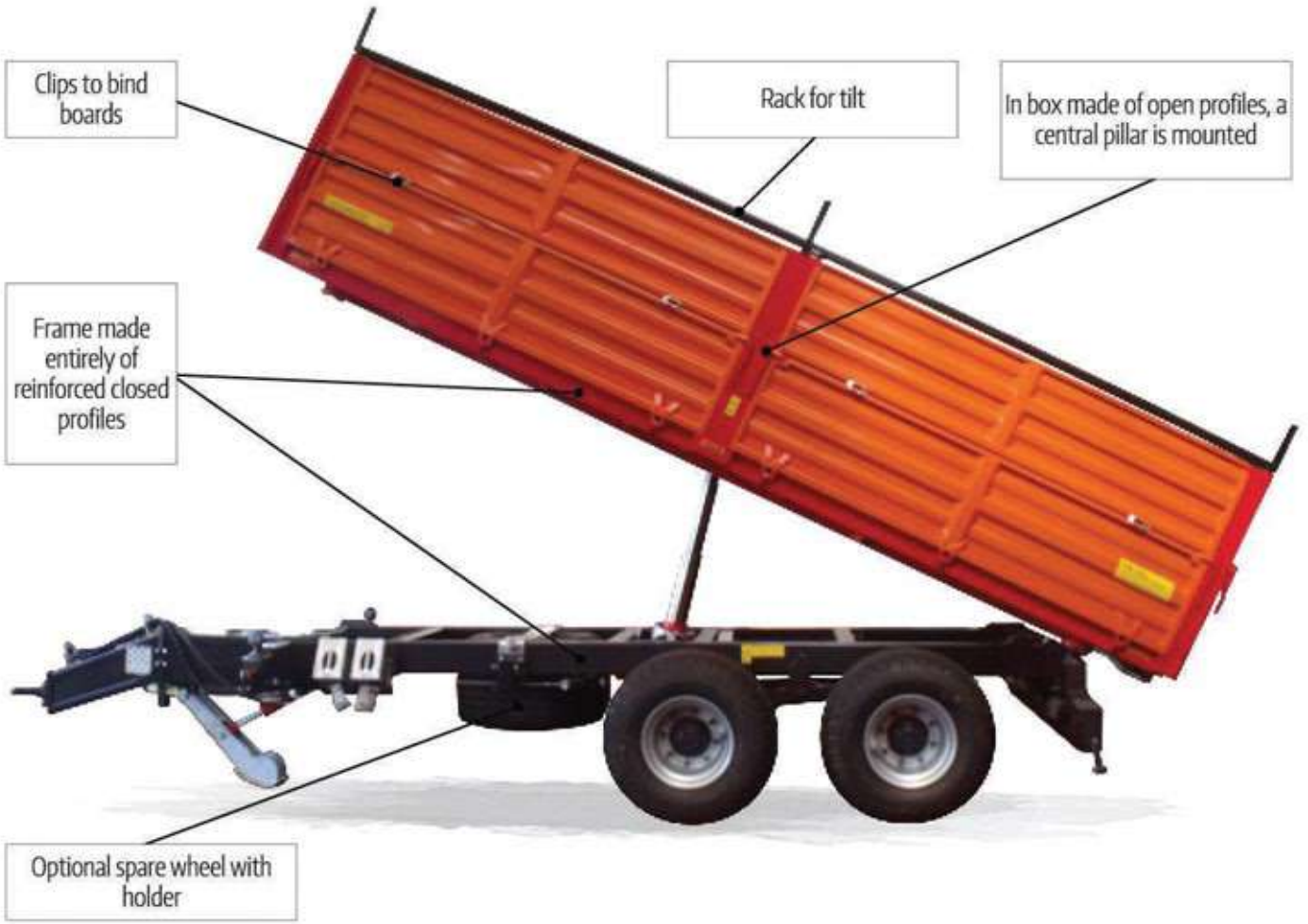
Dimension of the loading box	m	5,1 x 2,4 x 0,5
Dimensions	m	6,9 x 2,5 x 1,6
Capacity	kg	12000
Permissible total weight	kg	16000
Weight	kg	4000
Drawbar eye load	kg	2240
Size of the tires		520 / 50-17
Volume	m <sup>3</sup>	6,1 / 12,2 / 18,3
Loading area	m <sup>2</sup>	12,2

### STANDARD EQUIPMENT:

- three side tipping
- hydraulic supported leg
- central opening of the box walls
- rotated drawbar
- two line pneumatic braking system
- brake system connection cable
- chocks for blocking wheels
- mounting for slow-moving vehicle sign
- LED lighting

### OPTIONAL EQUIPMENT:

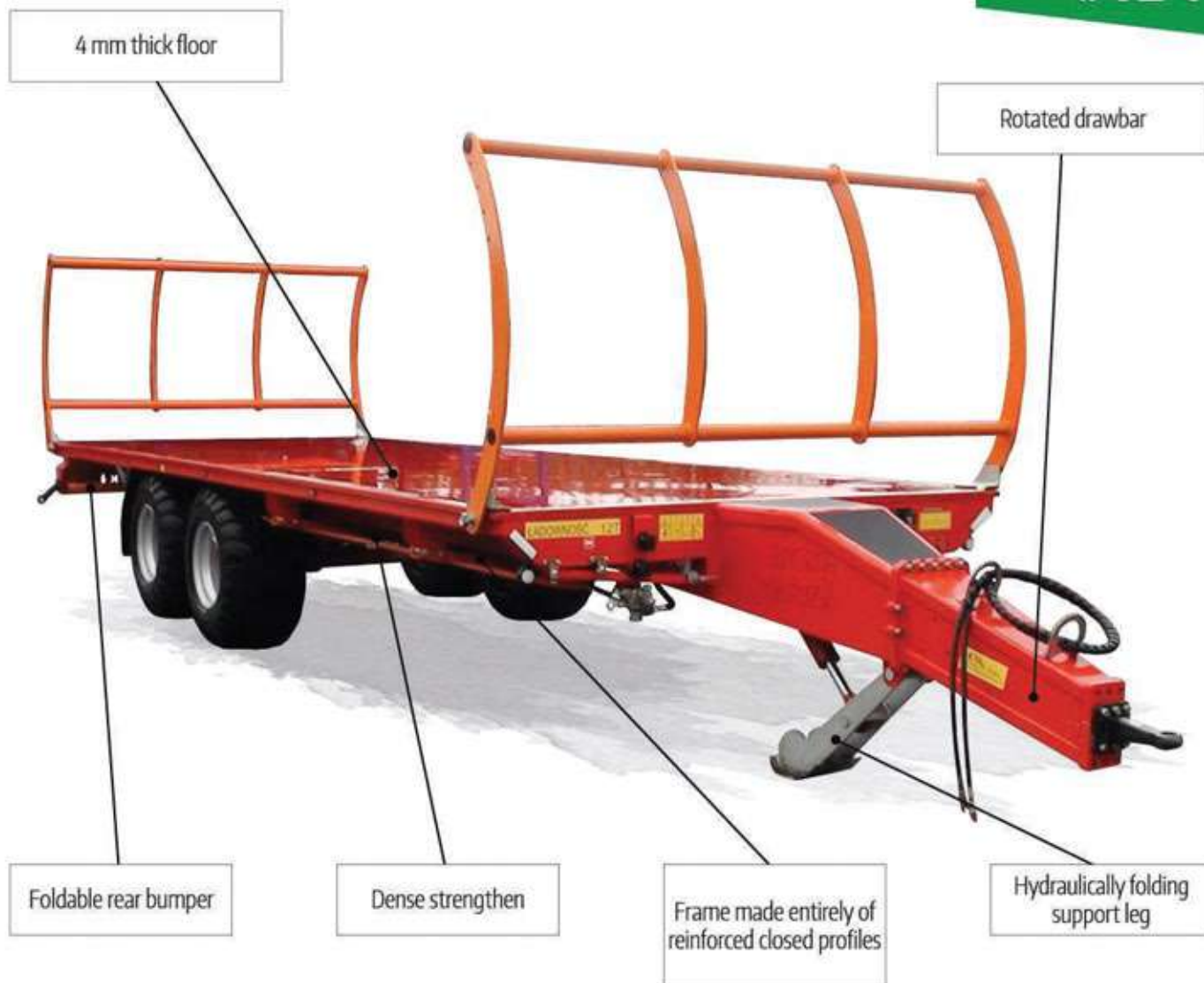
- additional level of walls (50 cm)
- one circuit hydraulic or air brake system
- rack for tilt
- tilt
- additional sealing of the walls in walls made of open profiles
- clips to bind boards with walls made of open profiles
- side walls springs with walls made of closed profiles
- spare wheel holder
- pouring for cereal
- covers for lights
- clamps to aggregate second trailer
- slow-moving vehicle sign
- manual non-road rear hitch
- manual road rear hitch
- automatic road rear hitch
- pump for hydraulic leg
- pallet extensions
- platform for tilt rolling



# PT5123N

# PT7120P TANDEM AXLES TRAILER

Capacity to **12 t**



Technical data - PT7120P		
Dimension of the loading box	m	7,1 x 2,4 x 0,0
Dimensions	m	9,2 x 2,5 x 2,5
Capacity	kg	12000
Permissible total weight	kg	16000
Weight	kg	4000
Drawbar eye load	kg	2240
Size of the tires		520 / 50-17
Loading area	m <sup>2</sup>	17

## STANDARD EQUIPMENT:

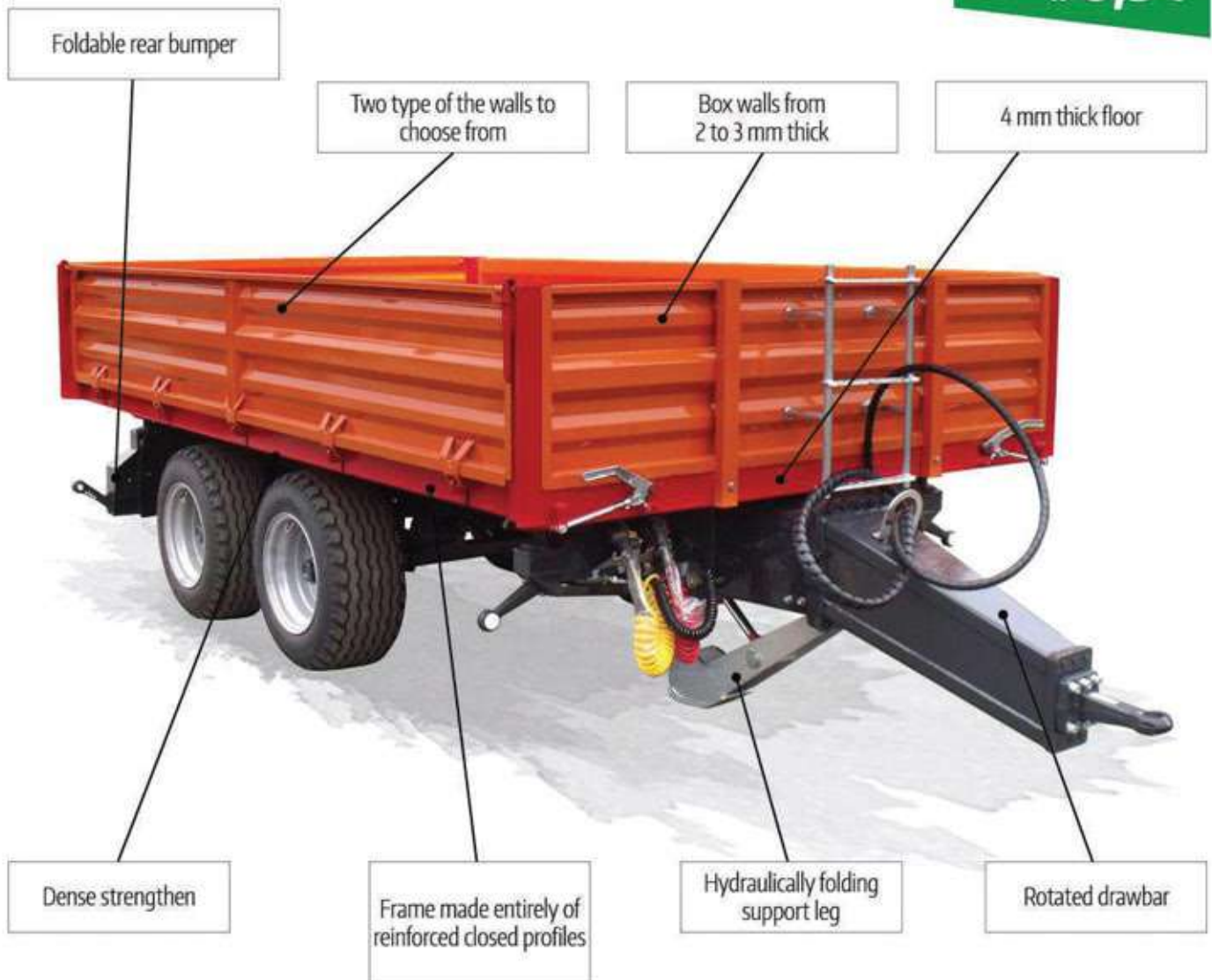
- hydraulic supported leg
- rotated drawbar
- two line pneumatic braking system
- brake system connection cable
- chocks for blocking wheels
- mounting for slow-moving vehicle sign
- LED lighting

## OPTIONAL EQUIPMENT:

- one circuit hydraulic or air brake system
- spare wheel holder
- covers for lights
- clamps to aggregate second trailer
- slow-moving vehicle sign
- manual non-road rear hitch
- manual road rear hitch
- automatic road rear hitch
- pump for hydraulic leg

# PT5650S TANDEM AXLES TRAILER

Capacity to **6,5 t**



Technical data - PT5650S		
Dimension of the loading box	m	4,9 x 2,1 x 0,5
Dimensions	m	6,8 x 2,3 x 1,5
Capacity	kg	6500
Permissible total weight	kg	9000
Weight	kg	2500
Drawbar eye load	kg	1000
Size of the tires		340 / 55-16
Volume	m <sup>3</sup>	5,1 / 10,2 / 15,3
Loading area	m <sup>2</sup>	10,3

## STANDARD EQUIPMENT:

- hydraulic supported leg
- rotated drawbar
- two line pneumatic braking system
- brake system connection cable
- chocks for blocking wheels
- mounting for slow-moving vehicle sign
- LED lighting

## OPTIONAL EQUIPMENT:

- additional level of walls (50 cm)
- one circuit hydraulic or air brake system
- rack for tilt
- tilt
- additional sealing of the walls in walls made of open profiles
- side walls springs with walls made of closed profiles
- spare wheel holder
- covers for lights
- clamps to aggregate second trailer
- slow-moving vehicle sign
- manual non-road rear hitch
- manual road rear hitch
- automatic road rear hitch
- pump for hydraulic leg
- pallet extensions
- platform for tilt rolling

# PJ33ECO ONE AXLE TRAILERS

Capacity to **3 t**



Side walls made from closed profiles

Manual support leg

## Technical data - PJ33S3S

Dimension of the loading box	m	3,0 x 1,5 x 0,5
Dimensions	m	4,5 x 1,6 x 1,5
Capacity	kg	3000
Permissible total weight	kg	4300
Weight	kg	1300
Drawbar eye load	kg	400
Size of the tires		340 / 55-16
Volume	m <sup>3</sup>	2,3 / 4,5
Loading area	m <sup>2</sup>	4,5

## OPTIONAL EQUIPMENT:

- additional level of walls (50 cm)
- mudguards
- pouring for cereal
- lower opening of rear wall
- rack for tilt
- tilt

## STANDARD EQUIPMENT:

- three side tipping
- manual support leg
- two line pneumatic braking system
- brake system connection cable
- chocks for blocking wheels
- mounting for slow-moving vehicle sign



Three side tipping



Optional pouring for cereal

PJ33ECCO

# PJ3303S ONE AXLE TRAILERS

## PJ33S3S

Capacity to **4,2 t**



Technical data		PJ33S3S	PJ3303S	PJ3303S increased capacity
Dimension of the loading box	m	3,1 x 1,4 x 0,5	3,1 x 1,8 x 0,5	3,1 x 1,8 x 0,5
Dimensions	m	4,5 x 1,6 x 1,5	4,5 x 2,0 x 1,5	4,5 x 2,0 x 1,5
Capacity	kg	3000	3000	4000
Permissible total weight	kg	4300	4300	5500
Weight	kg	1300	1300	1300
Drawbar eye load	kg	400	400	500
Size of the tires		260 / 75-15,3	260 / 75-15,3	340 / 55-16
Volume	m <sup>3</sup>	2,2 / 4,4 / 6,6	2,8 / 5,6 / 8,4	2,8 / 5,6 / 8,4
Loading area	m <sup>2</sup>	4,4	5,6	5,6

### STANDARD EQUIPMENT:

- three side tipping
- manual support leg
- central opening of the box walls
- two line pneumatic braking system
- brake system connection cable
- chocks for blocking wheels
- mounting for slow-moving vehicle sign
- LED lighting

### OPTIONAL EQUIPMENT:

- increasing the load capacity
- additional level of walls (50 cm)
- one circuit hydraulic or air brake system
- rack for tilt
- tilt
- additional sealing of the walls in walls made of open profiles
- clips to bind boards with walls made of open profiles
- side walls springs with walls made of closed profiles
- spare wheel holder
- pouring for cereal
- covers for lights
- clamps to aggregate second trailer
- slow-moving vehicle sign
- manual non-road rear hitch
- manual road rear hitch
- pump for hydraulic leg or tipping
- pallet extensions
- platform for tilt rolling



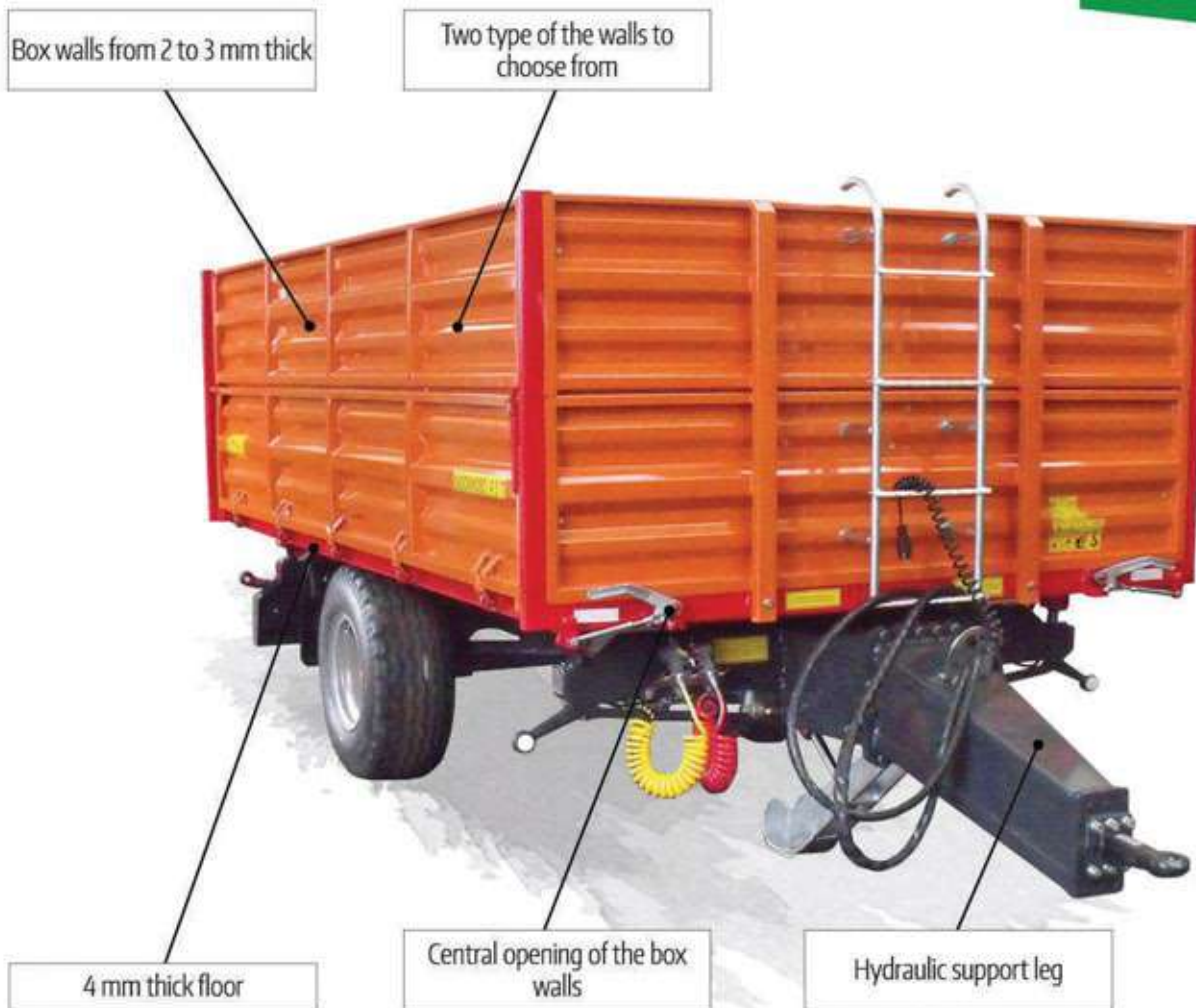


**OPTIONALLY, THERE IS THE POSSIBILITY TO MAKE A TRAILER WITH SUCH SAME PARAMETERS WITHOUT TIPPING**

P133035

# PJ4453N ONE AXLE TRAILERS

Capacity to **6 t**



Technical data		PJ4453N	PJ4453N increased capacity
Dimension of the loading box	m	3,7 x 2,1 x 0,5	3,7 x 2,1 x 0,5
Dimensions	m	5,1 x 2,3 x 1,5	5,1 x 2,3 x 1,5
Capacity	kg	4500	6000
Permissible total weight	kg	6500	8000
Weight	kg	2000	2000
Drawbar eye load	kg	730	900
Size of the tires		400 / 60-15,5	400 / 60-15,5
Volume	m <sup>3</sup>	3,9 / 7,8 / 11,7	3,9 / 7,8 / 11,7
Loading area	m <sup>2</sup>	7,8	7,8

## STANDARD EQUIPMENT:

- three side tipping
- manual support leg
- central opening of the box walls
- two line pneumatic braking system
- brake system connection cable
- chocks for blocking wheels
- mounting for slow-moving vehicle sign
- LED lighting

## OPTIONAL EQUIPMENT:

- increasing the load capacity
- additional level of walls (50 cm)
- one circuit hydraulic or air brake system
- rack for tilt
- tilt
- additional sealing of the walls in walls made of open profiles
- clips to bind boards with walls made of open profiles
- side walls springs with walls made of closed profiles
- spare wheel holder
- pouring for cereal
- covers for lights
- clamps to aggregate second trailer
- slow-moving vehicle sign
- manual non-road rear hitch
- manual road rear hitch
- automatic road rear hitch
- pump for hydraulic leg or tipping
- pallet extensions
- platform for tilt rolling

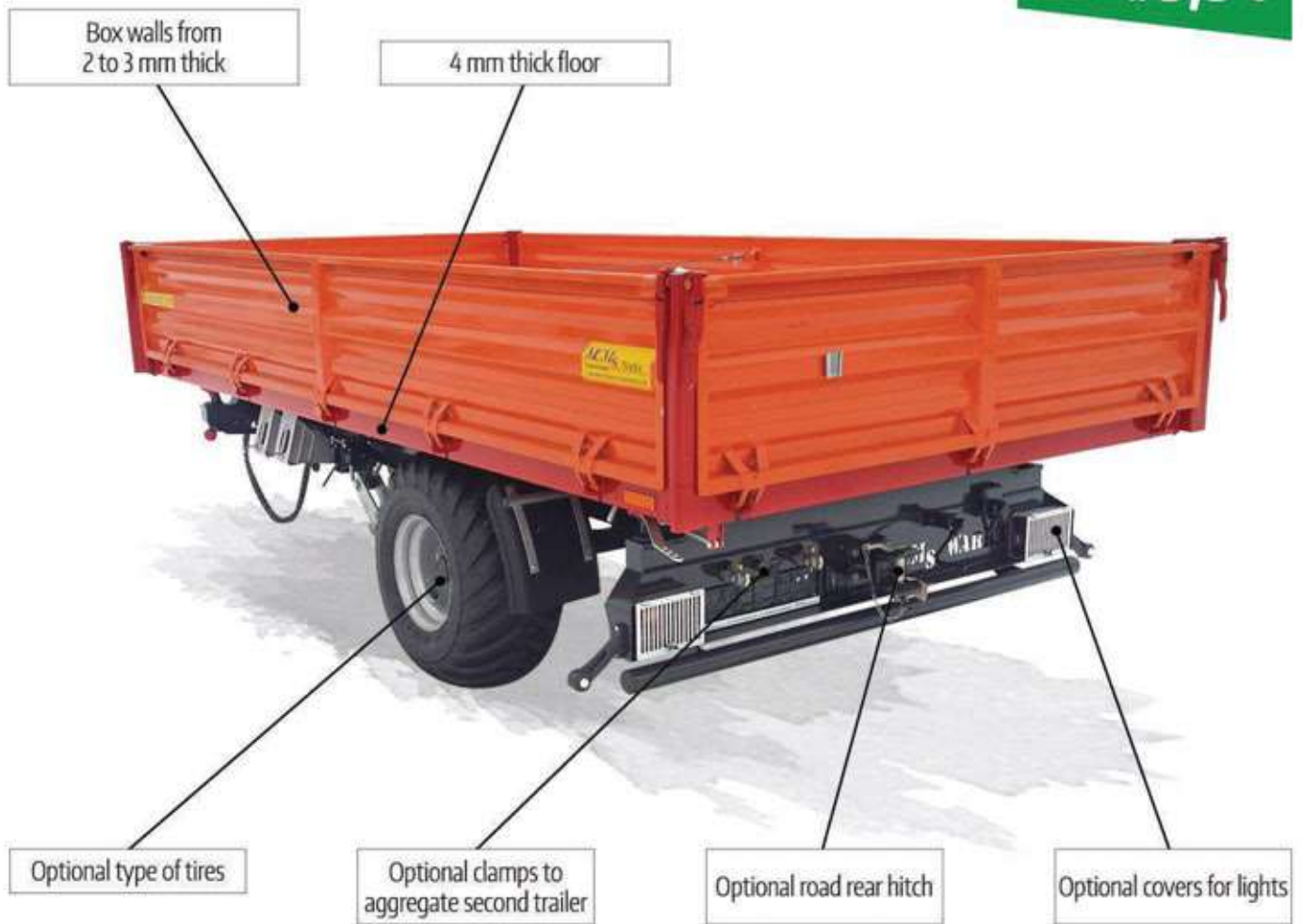


**OPTIONALLY, THERE IS THE POSSIBILITY TO MAKE A TRAILER WITH SUCH SAME PARAMETERS WITHOUT TIPPING**

P/4453N

# PJ4553S ONE AXLE TRAILERS

Capacity to **5,5 t**



Technical data - PJ4553S		
Dimension of the loading box	m	4,2 x 2,1 x 0,5
Dimensions	m	5,6 x 2,3 x 1,5
Capacity	kg	5500
Permissible total weight	kg	7800
Weight	kg	2300
Drawbar eye load	kg	900
Size of the tires		400 / 60-15,5
Volume	m <sup>3</sup>	4,4 / 8,8 / 13,2
Loading area	m <sup>2</sup>	8,8

## STANDARD EQUIPMENT:

- three side tipping
- manual support leg
- central opening of the box walls
- two line pneumatic braking system
- brake system connection cable
- chocks for blocking wheels
- mounting for slow-moving vehicle sign
- LED lighting

## OPTIONAL EQUIPMENT:

- additional level of walls (50 cm)
- one circuit hydraulic or air brake system
- rack for tilt
- tilt
- additional sealing of the walls in walls made of open profiles
- clips to bind boards with walls made of open profiles
- side walls springs with walls made of closed profiles
- spare wheel holder
- pouring for cereal
- covers for lights
- clamps to aggregate second trailer
- slow-moving vehicle sign
- manual non-road rear hitch
- manual road rear hitch
- automatic road rear hitch
- pump for hydraulic leg or tipping
- pallet extensions
- platform for tilt rolling

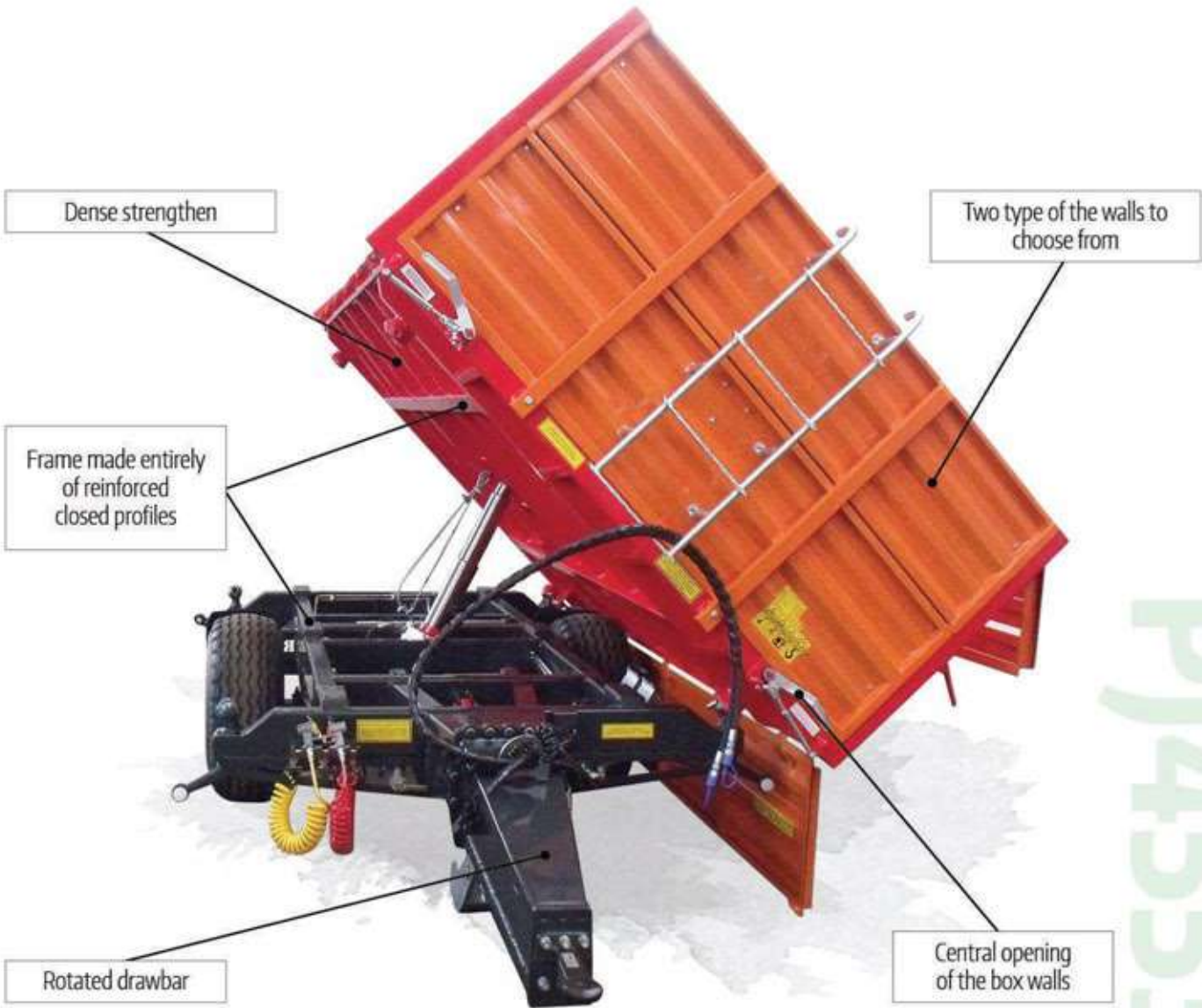


Hydraulically folding support leg

Chocks for blocking wheels

Optional spare wheel with holder

Foldable rear bumper



Dense strengthen

Two type of the walls to choose from

Frame made entirely of reinforced closed profiles

Rotated drawbar

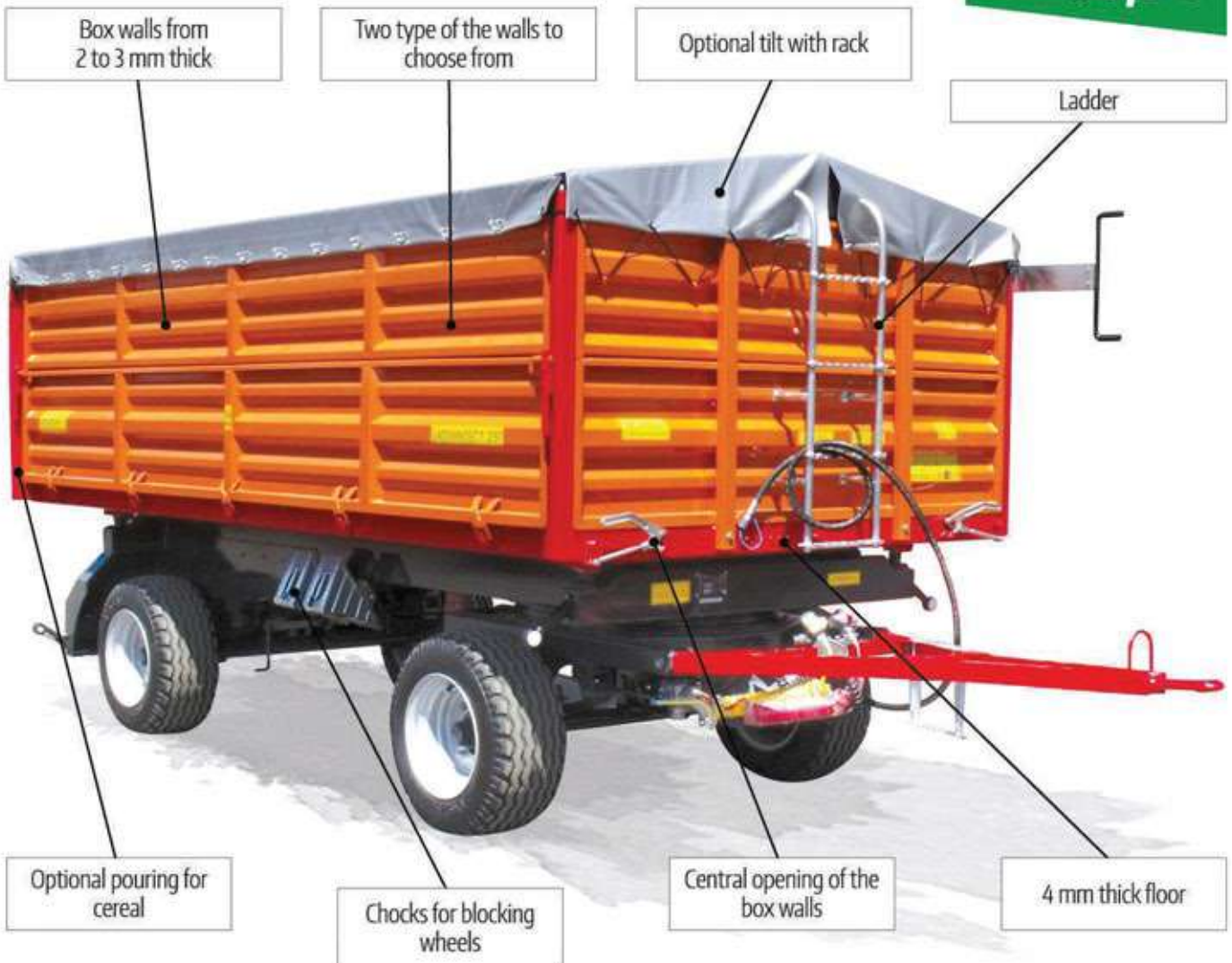
Central opening of the box walls

**OPTIONALLY, THERE IS THE POSSIBILITY TO MAKE A TRAILER WITH SUCH SAME PARAMETERS WITHOUT TIPPING**

P/45535

# PD4753S TWO AXLES TRAILERS

Capacity to **7,5t**



Technical data - PD4753S		
Dimension of the loading box	m	4,2 x 2,1 x 0,5
Dimensions	m	6,3 x 2,3 x 1,5
Capacity	kg	7500
Permissible total weight	kg	10000
Weight	kg	2500
Size of the tires		340 / 55-16
Volume	m <sup>3</sup>	4,4 / 8,8 / 13,2
Loading area	m <sup>2</sup>	8,8

## STANDARD EQUIPMENT:

- three side tipping
- frame made of closed profiles without constrictions
- central opening of the box walls
- two line pneumatic braking system
- brake system connection cable
- chocks for blocking wheels
- mounting for slow-moving vehicle sign
- LED lighting

## OPTIONAL EQUIPMENT:

- additional level of walls (50 cm)
- one circuit hydraulic or air brake system
- rack for tilt
- tilt
- additional sealing of the walls in walls made of open profiles
- clips to bind boards with walls made of open profiles
- side walls springs with walls made of closed profiles
- spare wheel holder
- pouring for cereal
- covers for lights
- clamps to aggregate second trailer
- slow-moving vehicle sign
- manual non-road rear hitch
- manual road rear hitch
- automatic road rear hitch
- pallet extensions
- platform for tilt rolling



**OPTIONALLY, THERE IS THE POSSIBILITY TO MAKE A TRAILER WITH SUCH SAME PARAMETERS WITHOUT TIPPING**

PD47535

# PD5722S TWO AXLES TRAILERS

Capacity to **7,2 t**



## Technical data - PD5722S

Dimension of the loading box	m	5,0 x 2,1 x 0,5
Dimensions	m	7,8 x 2,3 x 1,5
Capacity	kg	7200
Permissible total weight	kg	10000
Weight	kg	2800
Size of the tires		340 / 55-16
Volume	m <sup>3</sup>	5,3 / 10,6 / 15,9
Loading area	m <sup>2</sup>	10,6

### STANDARD EQUIPMENT:

- three side tipping
- frame made of closed profiles without constrictions
- central opening of the box walls
- two line pneumatic braking system
- brake system connection cable
- chocks for blocking wheels
- mounting for slow-moving vehicle sign
- LED lighting

### OPTIONAL EQUIPMENT:

- additional level of walls (50 cm)
- one circuit hydraulic or air brake system
- rack for tilt
- tilt
- additional sealing of the walls in walls made of open profiles
- clips to bind boards with walls made of open profiles
- side walls springs with walls made of closed profiles
- spare wheel holder
- pouring for cereal
- covers for lights
- clamps to aggregate second trailer
- slow-moving vehicle sign
- manual non-road rear hitch
- manual road rear hitch
- automatic road rear hitch
- pallet extensions
- platform for tilt rolling





Frame made entirely of reinforced closed profiles bez przewężeń



Dense strengthen

**OPTIONALLY, THERE IS THE POSSIBILITY TO MAKE A TRAILER WITH SUCH SAME PARAMETERS WITHOUT TIPPING**

PD57225

## ADDITIONAL OPTIONS



■ Additional level of walls (chosen version)



■ Rack with tilt



■ Sealing of the walls (only with walls made of open profiles)



■ Covers for lights



■ Clamps to aggregate second trailer



■ Slow-moving vehicle sign



■ Clips to bind boards



■ One circuit hydraulic or air brake system or two circuit air brake system



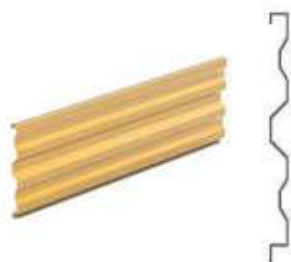
■ Manual non-road rear hitch



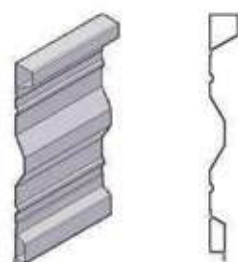
■ Manual road rear hitch



■ Automatic road rear hitch



■ Walls of the boxes made of 3 mm thick open profiles made of reinforced steel



■ Walls of boxes made of closed profiles additional protected against corrosion



■ Ability to produce trailer with trapezoidal shape of the load box



■ Spare wheel



■ Spare wheel holder with comfortable wheel lift



■ Pouring for cereal



■ Manual pump for supported leg or box tipping (selected models)



■ Pallet extensions



■ Platform for tilt rolling (selected models)



■ Optional tires



■ Side walls springs (only available when walls made of closed profiles)



■ Optional drawbar eye



■ Possibility of making walls of the grating



■ Painting according to the customer's order



## ALSO IN OUR OFFER YOU CAN FIND THE MACHINES FOR HORTICULTURE AND BERRY CROPS



■ Hydraulic hoes



■ Straw blowers



■ Beater shredders



■ Orchard platforms



■ Mower-shredders



■ Multifunctional subsoilers



■ Orchard trailers



■ Hot air generators



■ Tipplers for box pallets