



PolishStyl

*Flexible Sanding Tools*

## POLISHING – SANDING MACHINES POLISHSTYL



**Polishing – sanding machines** are made for quick and effective sanding of wood and wooden elements in piles. Working with steel and tynex heads, the polishing – sanding machines can be used in more and more popular wood technology which is called wood structuring. The right combination of our sanding brushes allows to obtain excellent surface quality.



**PolishStyl**

ul. Dzieci Warszawy 27B/4  
02-495 Warszawa  
tel/fax : +48 22 / 40-727-40

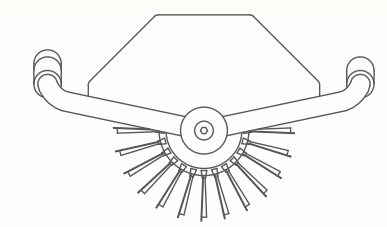
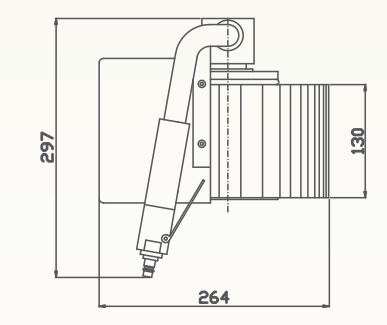
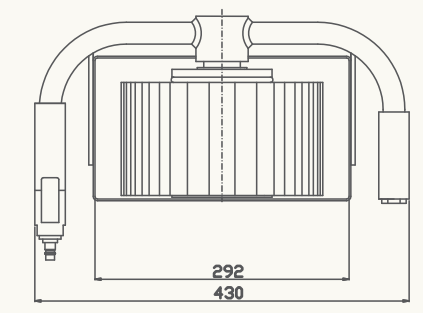
polishstyl@polishstyl.com.pl  
www.polishstyl.com.pl



*Flexible Sanding Tools*

### TECHNICAL PARAMETERS

|  | two-handed | one hand |
|--|------------|----------|
| rotation [rpm/min]                           | 800-1300   | 100-1600 |
| power [kW]                                   | 0,55       | 0,23     |
| weight of machine with head and brushes [kg] | 2,7        | 1,2      |
| air consumption [l/min]                      | 750        | 200      |
| diameter of the head [mm]                    | 115        | 80       |
| length of the abrasive brushes [mm]          | 130        | 60       |
| number of brushes on circumference [pcs]     | 24         | 18       |
| recommended pressure [bar]                   | 6,3        | 6,3      |



Ideal for sanding any kind of wood and wooden derivative material.



Where mobility is the most important.

**PolishStyl**  
 ul. Dzieci Warszawy 27B/4  
 02-495 Warszawa  
 tel/fax : +48 22 / 40-727-40  
 polishstyl@polishstyl.com.pl  
 www.polishstyl.com.pl